

3-Burner Portable Gas Griddle

OWNER'S MANUAL



Customer Service

☎ 1-800-618-6798

FOR YOUR SAFETY!

Use outdoors only! Do not use it inside a building, garage, or any other enclosed space. Read the instructions before assembling and using the appliance. DO NOT use the griddle unless it is completely assembled, and all the parts are securely fastened. This griddle will become very hot, do not move it during use. Keep away from children and pets.

CONTACT US FIRST!

This griddle has been made to high quality standards. If you have any questions that are not addressed in this Owner's Manual, or you need parts, please call our customer service hotline or send an email to service@royalgourmetusa.com. Please keep this Owner's Manual for future reference.

Learn more at:

www.royalgourmetcorp.com

For Your Safety	2-3
Preparation	4
Parts and Hardware List	5
Assembly Instructions	6
Operating Instructions	7-8
Cleaning and Maintenance	9-10
Troubleshooting Guide	11
Grilling Recipes	12-13
Warranty and Customer Service	14
Spanish	15-29
French	30-44

WARNING

Read the following instructions carefully and be sure your griddle is properly installed, assembled and cared for. Failure to follow these instructions could result in fire or explosion, which could cause property damage, personal injury, or death.

1. DO NOT store or use gasoline, or any flammable vapors and liquids within 8 meters (26 feet) of the griddle.
2. When cooking with oil/grease, do not allow the oil/grease to exceed 177 °C (350 °F). DO NOT store extra cooking oil in the vicinity of the griddle.
3. The liquid LP (propane) tank (cylinder) not connected for use should be stored a minimum distance of 3 meters (10 feet) from griddle or any appliance.
Never fill the LP tank beyond 80 percent full. If the above instructions are not followed exactly, there would be a risk of fire that may cause serious injury or death.

In case of any issue, call us first! DO NOT return the griddle to the retailer. This griddle has been made to high quality standards. If you have any questions not addressed in this owner's manual, or you need parts, please call our customer service hotline.

NOTE: The assembly and use of this griddle must conform to local codes. In the absence of local codes, use the National Gas and Propane Instruction Code. Read all instructions prior to assembly and use.

CAUTION:

1. A 1 lb. (454g) propane gas tank (not included) is required for operation.
2. Never attempt to attach this griddle to the self-contained propane system of a camper trailer, motor home, or house.
3. Never use charcoal or lighter fluid with gas griddles.
4. DO NOT attempt to move the griddle while it is lit or hot.
5. DO NOT use the griddle unless it is completely assembled, and all parts are securely fastened and tightened.
6. DO NOT use the griddle or any gas products near unprotected combustible buildings and materials.
7. DO NOT use in the presence of gases or vapors. Keep the griddle area clear and free from combustible materials, gasoline, and other flammable vapors and liquids.
8. DO NOT lean over the griddle or touch metal parts of the griddle until it has completely cooled (about 45 minutes) to avoid burns, unless you are wearing protective gear (oven mitts, potholders, and etc.).
9. DO NOT alter the griddle in any manner.
10. Keep all combustible items and surfaces at least 91 cm (36 inches) from the griddle at all times.
11. Never keep a filled LP tank in a hot car or truck. Heat will cause the gas pressure to increase, which may open the relief valve and allow the gas to escape.
12. Keep the griddle's valve compartment, burners, and circulating air passages clean. Inspect the griddle before each use.
13. Please ensure you only use your griddle at the correct pressure the appliance is designed for. Prior to installation, ensure that the local distribution conditions (nature of the gas and gas pressure) and the adjustment of the appliance are compatible.
14. Adequate ventilation is vital for combustion and efficiency performance of the griddle. This will ensure the safety of the user and other people in the vicinity of the area where the appliance is being used. Never use the appliance in any enclosed covered area.
15. The parts sealed by the manufacturer or his agent shall not be manipulated by the user.
16. Any modification to the appliance may be dangerous and may cause injury or property damage. Any unauthorized modification of the appliance will invalidate the guarantee on this appliance.
17. Turn off the appliance at the LP tank valve or regulator after use.

WARNING:

1. This griddle is for outdoor use only and should not be used inside a building, garage, or any other enclosed space.
2. The consumption of alcohol, prescription, or non-prescription drugs may impair the operators' ability to properly assemble or safely operate the griddle.
3. Always place your griddle on a hard and level surface far away from combustibles.
4. Do not leave a lit griddle unattended. Accessible parts may be very hot. Children should never use your griddle. ALWAYS keep children and pets away from the griddle.
5. Do not place the griddle on any type of uneven tabletop surface.
6. Do not use the griddle in high winds. When the wind speed is above 2m/s, don't use gas griddle facing to the wind.
7. The use of this appliance in enclosed areas can be dangerous and is PROHIBITED.

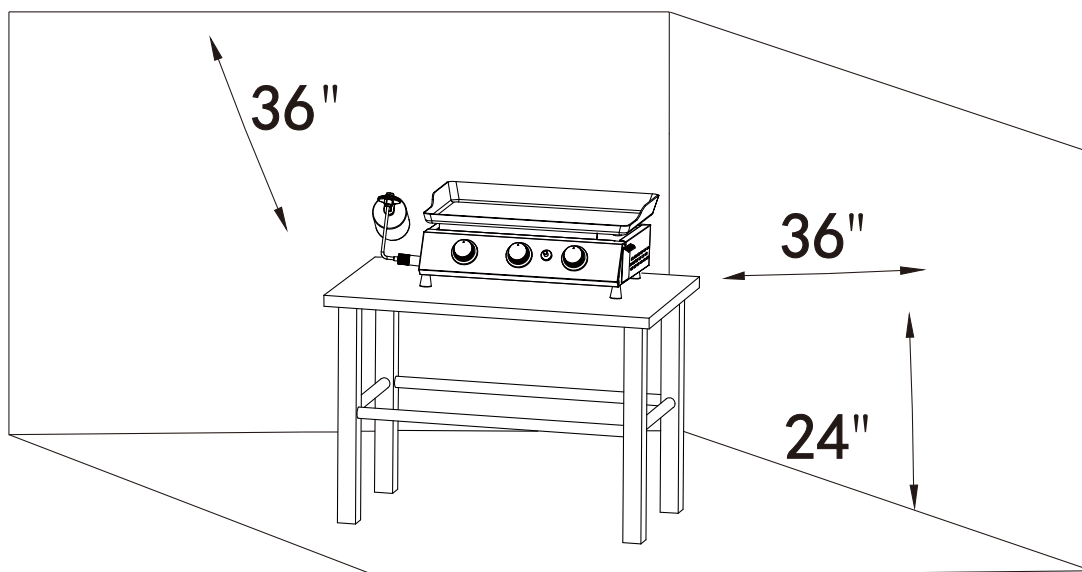
DANGER:

Liquid propane gas is flammable and hazardous if handled improperly. Understand the characteristics before using any propane product.

1. Propane characteristics: Flammable, explosive under pressure, heavier than air, settles in pools and low areas.
2. In its natural state, propane has no odor. For your safety, an odorant has been added.
3. Contact with propane can cause freeze burns to the skin.
4. This griddle is shipped from the factory for use with propane gas only.
5. Never use a LP tank with a damaged body, valve, collar, or footing.
6. Dented or rusted propane cylinders may be hazardous and should be checked by your propane gas supplier.

FOR YOUR SAFETY

1. Keep the griddle at least 91cm (36 inches) away from side and back, and 61cm (24 inches) from floor to combustible and noncombustible materials and construction.
2. Do not place the griddle where there are combustible surfaces overhead.



Before beginning assembly, make sure all parts are present. Compare parts with packaged contents list and diagram above. If any parts are missing or damaged, do not attempt to assemble the products. Contact customer service for replacement parts via telephone or email.



Phillips screwdriver



Wrench

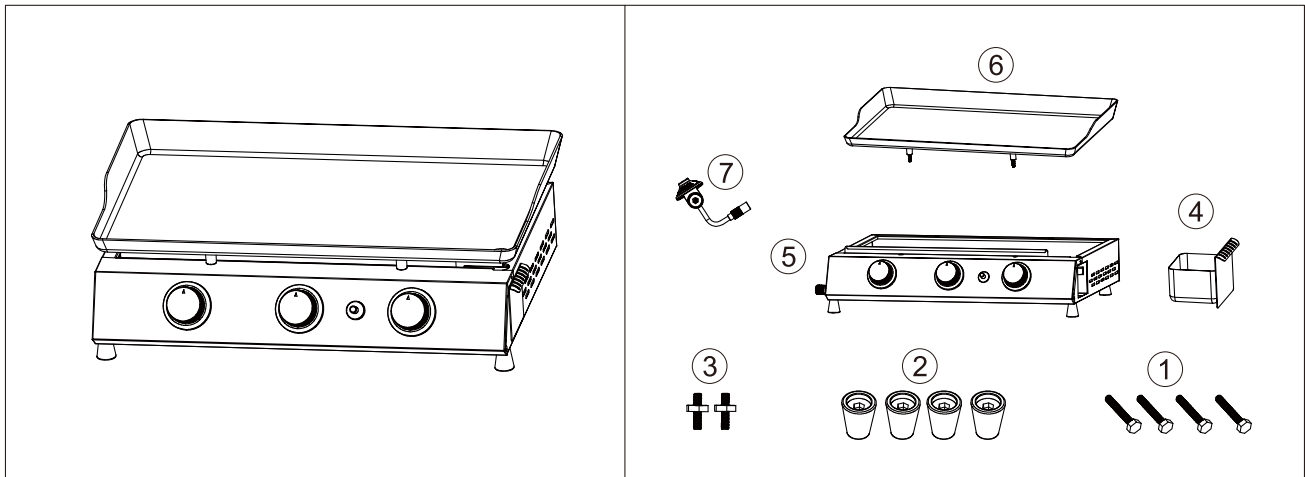
- Estimated assembly time: 10 minutes
- Tools required for assembly:
Phillips screwdriver (not included) and Wrench (not included)
- Note: The right and left sides of the griddle are designed as if you are facing the front of the griddle.










CALIFORNIA PROPOSITION 65 WARNING

1. Fuels used in gas burning appliances and the combustion byproducts of such fuels, can expose you to chemicals including carbon monoxide, which is known to the State of California to cause birth defects or other reproductive harm.
2. This product contains Nickel (Metallic) known to the State of California to cause cancer.
3. This product contains Lead and Lead Compounds known to the State of California to cause cancer and birth defects or other reproductive harm.

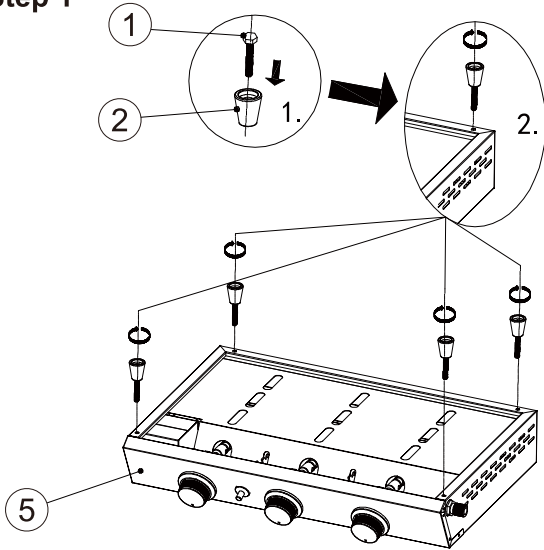
For more information, go to: www.P65Warnings.ca.gov



Ref	Description	Illustration	QTY
1.	Bolt (M4×30)		4
2.	Leg base JS206		4
3.	Stud with nut		2
4.	Grease cup GHLT5YB		1

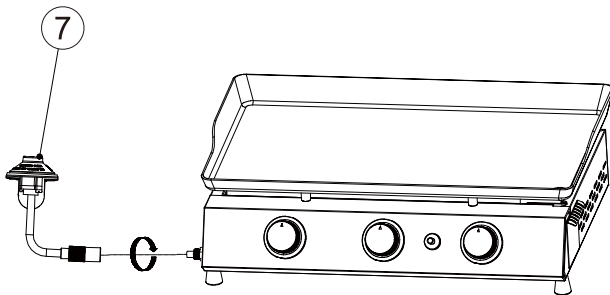
Ref	Description	Illustration	QTY
5.	Main body		1
6.	Cooking griddle GHJP23B-C		1
7.	Regulator W-11020007		1

Step 1



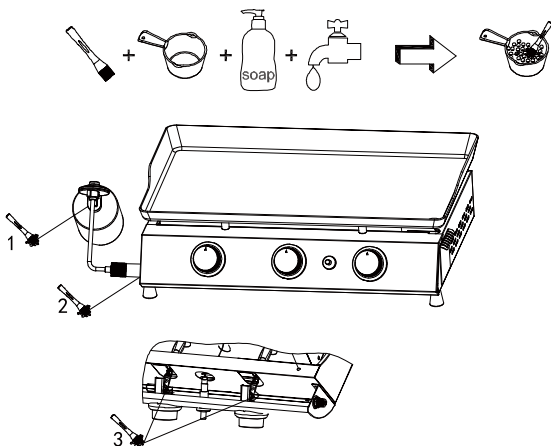
Insert 4 bolts (1) into the leg bases (2), then assemble 4 leg base assemblies to the bottom of the main body (5) by twisting clockwise until tightened.

Step 3



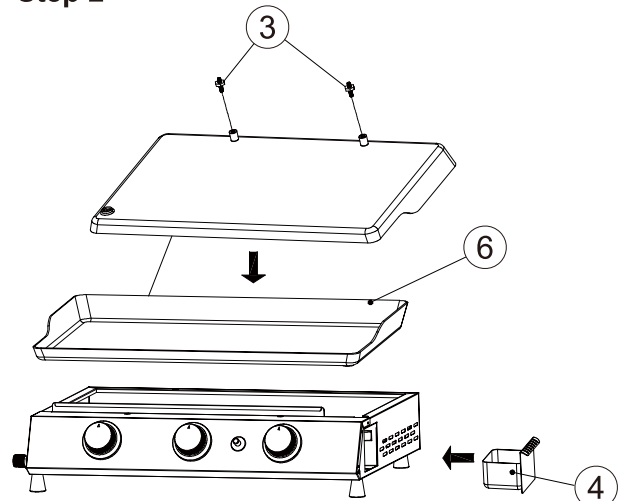
Connect the regulator (7) to the main body.

Step 5



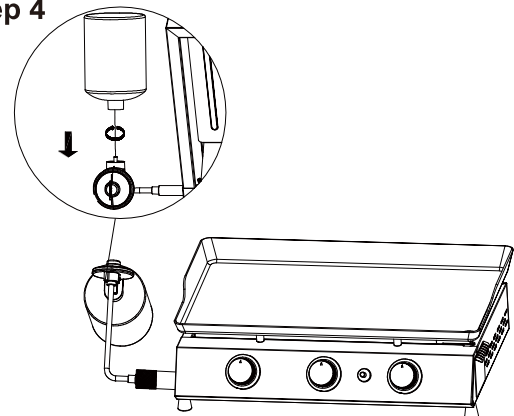
Before use, conduct the LP tank leak test as shown.

Step 2



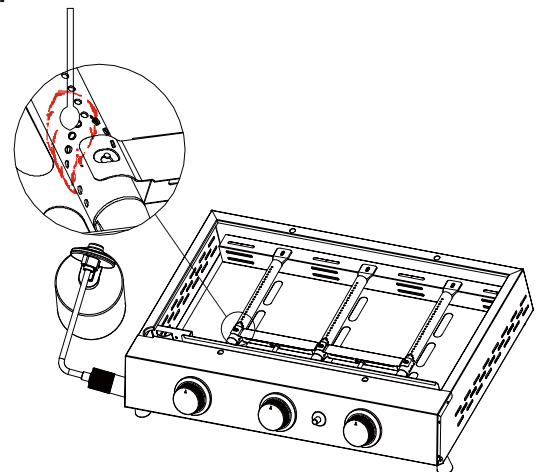
Insert the grease cup (4) to the side of the main body. Screw 2 studs (3) underneath the cooking griddle (6). Adjust the nuts to ensure the flatness of the griddle. It is recommended to leave a few inches of space from each nut to the griddle, as shown in the figure.

Step 4



Insert the nipple of the regulator into the 1 lb. LP tank (not included) and hand tighten it by twisting clockwise as shown.

Step 6



Consider to manually light the burner with a lit match stick as shown if failing to light the burner with piezo ignition.

INSTRUCTIONS FOR USE

Your new griddle has been designed and manufactured to high quality standards.

It will provide you with many years of fun grilling time, however, it requires a minimal amount of maintenance.

Follow these instructions carefully to avoid seriously damaging your grill and causing injury to yourself and to property.

1. Assemble the griddle as per the assembly instructions carefully.
2. Connect the 1lb. propane tank to the griddle (propane tank not included).
3. Turn all control knobs to the OFF position before turning on the gas supply to the griddle.
4. Operate the regulator in accordance with the instructions supplied with the regulator.

Always visually inspect your griddle before lighting. Look for anything that could block ventilation and remove such a blockage or move the griddle.

After lighting, check the flame pattern to ensure you have even heat distribution for each burner. If burners don't light up, or if the flame pattern is uneven, see the Troubleshooting section.

WARNING

1. Read instructions before lighting.
2. If ignition does not occur in 5 seconds, turn the burner control knob(s) off, wait 5 minutes and repeat the lighting procedure.

LIGHTING THE BURNERS USING PIEZO IGNITION

1. Turn all control knobs to OFF position.
2. Connect the LP tank to the regulator valve.
3. Push in control knob and turn it anti-clockwise to HI position. Push and hold ignitor button to light the burner.
4. If the burner does not ignite, turn control knob to OFF position, wait for 5 minutes before attempting to relight the burner.
5. If the burner ignites, repeat for other burners, and turn the control knobs to the temperature setting required for your food.

* Should the burners still fail to ignite, check the gas supply.

MANUALLY LIGHTING THE BURNERS WITH MATCH STICK

1. Turn all control knobs to OFF position.
2. Connect the LP tank to the regulator valve.
3. Remove the cooking griddle and place the lit match close to the burner ports.
4. Push in the control knob and turn it anti-clockwise to HI position. The burner should light immediately.
5. If the burner does not ignite, turn control knob to OFF position, wait for 5 minutes before attempting to relight the burner.
6. If the burner ignites, repeat for other burners, and turn the control knobs to the temperature setting required for your food.

* Should the burners still fail to ignite, check the gas supply.

TURNING OFF YOUR GRIDDLE

1. Turn all burner control knobs to OFF position.
2. Disconnect the LP tank from the regulator valve.

WARNING

Do not use spirit or petrol for lighting or re-lighting!

BEFORE USE PLEASE CHECK FOR LEAKS

Never check for leaks with a naked flame, always use a soapy water solution.

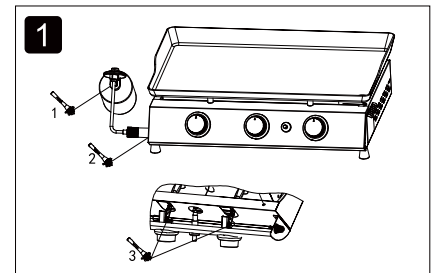
LEAK TEST

A leak test should be conducted each time a LP tank is refilled or exchanged.

Do not smoke or use any type of flammable material in the area during this leak test.

Do not use an open flame to check for leaks.

1. Test outside in a well-ventilated area.
2. Ensure the LP tank valve and all burners are at OFF position.
3. If the warnings 1 and 2 above are not strictly followed, there is risk of fire that may lead to serious injury or death.
4. Mix a 50/50 mild soap and water solution. Do not use any household cleaner solution.
5. Connect the regulator to the griddle, and connect the LP tank to the regulator, ensure the connections are secure, then open the LP tank valve. If you hear a rushing sound, disconnect the LP tank immediately. In that case, there could be a leak at the connection. Reconnect the LP tank to the regulator.
6. Spray or brush the soap water solution covering the following areas. (Fig. 1)
7. Bubbles that occur on any of the parts and connections listed above indicate a gas leak. Immediately disconnect the LP tank. Re-tighten the connections or order replacement parts as needed. Continue to test as necessary until no leaks are detected. If detected leakage can not be rectified, do not attempt to cure leakage but consult your gas dealer.
8. Disconnect the LP tank from the griddle after testing.



If you smell gas:

1. Shut off gas supply to the griddle.
2. Extinguish any open flame.
3. If odor remains, keep away from the griddle and immediately call your fire department.

Failure to follow these instructions could result in fire, explosion, or burns, which could cause property damage, personal injury, or death.

LP TANK

1. The appliance must be used with a 1 lb. LP tank.
2. Do not drop or roughly handle the LP tank! If the appliance is not in use, LP tank must be disconnected. Replace the protective cap on the LP tank after disconnecting the LP tank from the appliance.
3. The LP tank must be stored outdoors in an upright position and out of the reach of children.
4. The LP tank must never be stored where temperatures can reach over 50 °C (122 °F).
5. Do not store the LP tank near flames, pilot lights, or other sources of ignition.
6. DO NOT SMOKE NEAR THE LP TANK. The LP tank should be kept away from any source of ignition.
7. Do not store or use gasoline or other flammable liquids or vapors in the vicinity of this or any other appliance.

WARNING

1. Do not clean any part of your griddle in a self-cleaning oven.
2. Do not use oven cleaners, abrasive kitchen cleaners, cleaners that contain citrus products, or mineral spirits.
3. Clean your griddle regularly to prevent grease buildup, grease fires or excessive flare-ups.
4. Always allow the griddle to cool down prior to cleaning.

CAUTION: All cleaning and maintenance should be carried out when the appliance is cooled down and with the fuel supply turned OFF at the LP tank or the regulator.

STAINLESS STEEL Clean with multipurpose, low-abrasion, non-phosphorous metal or stainless steel polish and a soft cloth. Always polish in the direction of the finish. Do not allow grease and dirt to accumulate. In addition, several products and naturally occurring substances can damage all stainless-steel finishes. These include, but are not limited to, swimming pool chemicals (chlorine and bromine), lawn and garden fertilizers, ice-melting products, sea or other salt water, urine, bird droppings, and tree sap. Upon contact with these substances, immediately wash and dry the stainless-steel surface and be careful to avoid burns.

COOKING GRIDDIE Most foods can be cleaned up by scraping and wiping down the cooking griddle with a paper towel or wet soft cloth. To remove tough food residue, you can use a mild cream cleaner and pad. You can also use soapy water or a paper towel and 1/4 cup of table salt as another method to clean your griddle. Rinse well and dry it.

OTHER EXTERIOR SURFACES Wash with a mild detergent and warm water. You can use a cloth, soft brush (non-metallic), or plastic cleaning pad. Rinse thoroughly and wipe dry.

GREASE CUP Check after each use. Remove and empty the grease cup when half full. It can be washed with warm water and mild dishwashing detergent.

BURNERS We recommend you clean your burners at least twice a year, or before each use if the griddle has not been used in over one month.

WARNING

Small insects and spiders may enter the burner tubes. Sometimes they will build nests or spin webs that can block or reduce the amount of gas flowing through the burner. You will usually see a smaller flame, or a flame that is mostly yellow rather than blue, coming from the burner when this happens. Other signs include the griddle generating uneven or low heat, or difficulty in igniting the burners. In cases of severe blockage, this can cause the flame to burn backwards, and outside of the burner tubes, which can damage your griddle and/or cause personal injury. **IMMEDIATELY SHUT OFF THE FLOW OF PROPANE GAS AT THE TANK OR SHUT OFF THE REGULATOR SHOULD THIS HAPPEN.** Wait for the griddle to cool down and then clean all burners.

CLEANING THE BURNERS

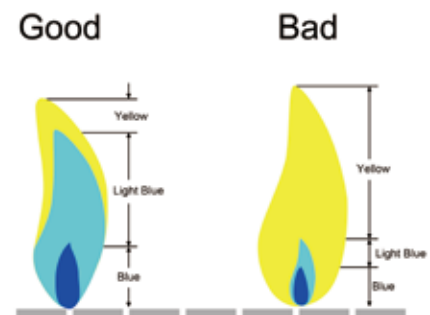
1. Ensure the gas is turned off at the LP tank.
2. Remove the cooking griddle.
3. Lift each burner up and out.
4. Clean the inside of the burner by using a stiff wire. An alternative is to use compressed air. Always wear protective gear for your eyes when using this method. Never enlarge the burner ports during cleaning.
5. Brush the outer surface of the burner.
6. Ensure all ports (holes) are free of debris.
7. Inspect the burners. Replace damaged parts that have cracks or enlarged ports.
8. Replace the cooking griddle.
9. Perform the Leak Test described earlier in this Owner's Manual.

WARNING

Proper placement of the burner and valve is vital to ensure safety.

BURNER FLAMES

Always check the burner flame patterns after lighting. A good flame should be primarily blue with a yellow tip and have a minimal amount of flicker. Some yellow tips are OK if they are smaller than 2.5 cm (1"). New burners sometimes have oil residue, which will cause yellow flame when burning off. Variations in gas supply, altitude, weather, and other factors can all impact burner performance. Older grills can also show more yellow flame due to food deposit, oil, and fat buildup.



ALWAYS

1. Keep the grilling area clear and free from combustible materials, gasoline and other flammable vapors and liquids.
2. Do not obstruct the air flow for combustion and ventilation.
3. Keep the ventilation openings of the LP tank enclosure free and clear from debris.

GRIDDLE STORAGE

1. Clean your griddle before storage.
2. Storage of a gas griddle indoors is permissible only if the propane tank is disconnected and removed from the gas griddle.
3. Cover the griddle.
4. Perform a Leak Test before using the griddle after it has been kept in storage for some time.

BURNER WON'T LIGHT (USING A 0.45 KG (1 LB.) LP BOTTLE)

- Ensure LP bottle still has fuel in it by gently shaking it-there will be sounds of the liquid inside if the fuel remains.
- Check to see that the air inlet screen of the venturi tube is not covered or clogged.
- Check to see that burner orifices are clear. If obstructed, with LP bottle disconnected, you can gently brush orifices with a small brush.
- Check to see that the ignitor is producing a spark against the burner (better checked in shady spot). If the burner still doesn't ignite, repeat the above procedures with another LP bottle.

BURNER WON'T LIGHT (USING A 9 KG (20 LB.) GAS TANK WITH CONVERSION HOSE)

- Review all steps in the LP bottle section above.
- Ensure that the LP tank supply valve is open (turned counterclockwise until stop).
- Ensure that the orifices at both ends of the conversion hose are not obstructed or damaged.
- Straighten sharp kinks in the conversion hose.

GRIDDLE DOESN'T REACH HIGHT ENOUGH TEMPERATURE (USING A 0.45 KG (1 LB.) LP BOTTLE)

- Gently shake LP bottle to ensure enough fuel for working, there will be sounds of the liquid inside if fuel remains.
- Check to see that the air inlet screen of the venturi tube is not covered or clogged.
- Test the gas system for leaks.

GRIDDLE DOESN'T REACH HIGH ENOUGH TEMPERATURE (USING A 9 KG (20 LB.) GAS TANK WITH CONVERSION HOSE)

There is a safety device on your LP tank which intends to reduce the gas flow whenever a leak occurs. When this device is active, it is commonly called "bypass". This device can be inadvertently activated if you don't follow the proper lighting procedures. Once you experience the low flame, you should do the following:

- 1) Shut off the griddle.
- 2) Fully close the LP tank pressure relief valve.
- 3) Disconnect the conversion hose from the valve, and reconnect.

Then, restart with proper procedures:

- 1) Ensure the griddle control knob is turned to OFF position.
- 2) Slowly open the LP tank valve fully. Turn the LP tank hand wheel about 1/4 turn every 10 seconds.
- 3) WAIT 5 SECONDS.
- 4) Follow the lighting steps.

If your problem is not resolved using the troubleshooting information above,
please contact your local gas dealer.

Direct Heat

BEEF INTERNAL TEMPERATURE CHART			
Cooking Degree	Internal Core Temperature	Internal Description	Firmness
Rare	125 °F	Center is bright red, pinkish toward the outer portion, and warm throughout	Soft to the touch
Medium Rare	130-135 °F	Center is very pink, slightly brown toward the outer portion and slightly hot	Yields only slightly to the touch
Medium	140-145 °F	Center is light pink, outer portion is brown and hot throughout	Beginning to firm to the touch
Medium Well	150-155 °F	Mostly brownish gray throughout with a hint of pink in the center	Firm to the touch
Well Done	155 °F and above	Steak is brownish gray throughout	Firm or hard to the touch
POULTRY INTERNAL TEMPERATURE CHART			
Whole Chicken	165 °F	Cook until the juices run clear	Firm to the touch
Dark Meat	165 °F	Cook until white throughout but still moist	Firm to the touch
Breast Meat	165 °F	Cook until white throughout but still moist	Firm to the touch
Thigh, Wings and Legs	165 °F	Mostly brownish gray throughout with a hint of pink in the center	Firm to the touch
PORK INTERNAL TEMPERATURE CHART			
Medium	150 °F	Pink in the center	
Well Done	160 °F and above	Pork is uniformly white/brown throughout	
Pork Ribs	180-200 °F	Pale white. Cook medium to well done	
Raw Sausage	160 °F	No longer pink	
Sausage (Pre-cooked)	140 °F	No longer pink	

STEAK (& ALL MEATS):

- To grill meats, raise fire grate to high position (hot) and sear for one minute on each side with the lid open to seal in flavor and juices.
- Then lower the fire grate to the medium position with lid closed and cook to desired degree.
- Control heat with dual dampers and adjustable fire grate.

Tip:

Place grilled meat back in the marinade for several minutes before serving and it will be tastier and juicier.

CAUTION:

Boil extra marinade first to kill bacteria remaining from the raw meat.

MARINATED FLANK STEAK:

- Mix marinade ingredients in a nonmetal dish.
 - Let steak stand in marinade for no less than 4 hours in the refrigerator.
 - Brown each side for 5 minutes, but center should remain rare.
 - Cut steak diagonally across the grain into thin slices before serving.
 - Grill with fire grate in high (hot) position with lid open or closed.
-

Meat Marinade

- 1/2 cup vegetable or olive oil
 - 1/3 cup soy sauce
 - 1/4 cup red wine vinegar
 - 2 tbsp lemon juice
 - 1 tsp dry mustard
 - 1 minced clove garlic
 - 1 small minced onion
 - 1/4 tsp pepper
-

QUAIL OR DOVES:

- Cover the birds with good amount of seasoning and marinate overnight.
 - Pour remaining dressing and cover with Texas Pete Hot Sauce for 6 hours.
 - Wrap birds in thick bacon secured by a toothpick.
 - Place on grill. Keep turning until bacon is black.
 - Grill for 20 minutes. Sear with lid open and fire grate in high (hot) position for 1 minute on each side before lowering the grate and closing the lid.
 - To smoke the birds, place them in the center of the grates with fire in both ends of the fire box.
-

HOT DOGS:

- Grill with lid up and cooking grates in high (hot) position for approximately 6 minutes.
 - Turn every few minutes.
-

SWEET CORN IN HUSKS:

- Trim excess silk from end and soak in cold salted water for 1 hour before grilling.
 - Grill for 25 minutes (to turn several times).
-

KABOBS:

- Alternate any combination of meat, onions, tomatoes, green peppers, mushrooms, zucchini, circular slice of corn-on-the-cob, or pineapple on skewers. Meat could consist of shrimp, scallops, lobster, chicken, sausage, pork, beef, etc.
 - Marinate the meat in refrigerator for several hours.
 - Grill each side approximately for 7 minutes, turning occasionally while basting with marinade.
 - Leave a small amount of room between pieces in order to cook faster.
 - Grill with lid up and the cooking grates in the lowest position.
-

Kabob Marinade:

- 1 cup soy sauce
 - 1/2 cup brown sugar
 - 1/2 cup vinegar
 - 1/2 cup pineapple juice
 - 2 tsp salt
 - 1/2 tsp garlic powder
 - Mix all ingredients in a saucepan and bring to boil.
 - Allow marinade to cool before marinating your meat in it.
 - Marinate beef in the mixture a minimum of 4 hours.
-

HAMBURGERS:

- See meat marinade on prior pages.
 - You may also marinate by allowing to stand in marinade for 1 or 2 hours at room temperature before cooking or let it stand in a covered dish in the refrigerator for up to 24 hours.
 - Bring to room temperature before cooking.
 - Mix in chopped onions, green peppers, salt, sear 3/4 inch patties on each side, with cooking grates in high position for a few minutes.
 - Lower fire grate to medium position and grill with lid down to avoid flare-ups.
 - Cook each side for 3 to 7 minutes according to desired degree.
 - Cook ground meat to 150 °F internal temperature or until juice runs clear (free of blood) to prevent E-coli infections.
 - Burgers can be basted with marinade when turning and/or other ingredients can be mixed in with the ground beef such as chili sauce or powder.
-

SHRIMP (Peeled) & CRAYFISH:

- Place on skewers.
 - Coat with melted butter and garlic salt.
 - Grill for 4 minutes on each side or until pink. Cocktail sauce optional.
-

BAKED POTATOES:

- Rub with butter and wrap in foil and cook on grill with lid down for 50 minutes.
 - Turn after 25 minutes (no need to turn if smoked).
 - Squeeze to check if it is cooked.
-

Thanks for purchasing this Royal Gourmet® Griddle.

Royal Gourmet warrants its products to be free from defects in materials and workmanship under proper assembly, normal residential use and recommended care for **1-Year Full Warranty** from the date of original retail purchase. The warranty does not cover paint finish as it may burn off during normal use. **RUST is not considered a manufacturing or materials defect.**

For **5 Years** from the date of purchase, **any stainless steel burner** that rusts through will be replaced **free** of charge.

Within the stated warranty period, Royal Gourmet, at its discretion, shall replace defective components free of charge, with the owner being responsible for shipping. Royal Gourmet reserves the right to require that defective parts be returned, postage and or freight pre-paid by the consumer for review and examination. In the event of parts availability issues, Royal Gourmet reserves the right to substitute like or similar parts that are equally functional. Upon the expiration of such warranty, all such liability shall terminate.

Note: A dated sales receipt along with Model Number and Serial Number will be required for the warranty service.

The limited warranty will not reimburse you for the cost of any inconvenience, food, personal injury or property damage. All warranty coverage is void if this griddle is ever used for commercial or rental purposes. And this limited warranty applies to the functionality of the product **ONLY** and does not cover cosmetic issues such as scratches, dents, corruptions or discoloring by heat, abrasive and chemical cleaners or any tools used in the assembly or installation of the appliance, surface rust, or the discoloration of stainless steel surfaces.

ITEMS NOT COVERED IN THE WARRANTY SERVICE

Any failures or operating difficulties due to accident, abuse, misuse, alteration, misapplication, vandalism, improper installation or improper maintenance or service, or failure to perform normal and routine maintenance, including but not limited to damage caused by insects within the burner tubes, as set out in the owner's manual.

Deterioration or damage due to severe weather conditions such as hail, hurricanes, earthquakes or tornadoes, discoloration due to exposure to chemicals either directly or in the atmosphere.

Cost of service calls to your home.

Costs of removal or re-installation.

Pickup and delivery of your product.

Shipping or transportation costs.

Labor costs for installation and repair.

Liability for indirect, or consequential damages.

This limited warranty is the sole warranty given by Royal Gourmet and is in lieu of all other warranties, expressed or implied including implied warranty, merchantability, or fitness for a particular purpose. Neither Royal Gourmet nor the retail establishment selling this product has authority to make any warranties or to promise any remedies in addition to or inconsistent with those stated above.

Royal Gourmet's **maximum liability**, in any event, shall not exceed the purchase price of the product paid by the original consumer purchaser. Some states do not allow the exclusion or limitation of incidental or consequential damages. In such a case, the above limitations or exclusions may not be applicable.

Do not return parts without prior to obtaining return authorization from our customer service department.

Please do not hesitate to contact our customer service when you have any questions regarding assembly, warranty, or accessories. We will be happy to offer any replacement parts you need during the warranty period.



1-800-618-6798



service@royalgourmetusa.com



Mon-Fri, 8:30 AM-5:30 PM, EST

Plancha de Gas Portátil de 3 Quemadores Manual de Usuario



Servicio al Cliente

☎ 1-800-618-6798

¡PARA SU SEGURIDAD!

¡Solo usa al aire libre! No la utilice dentro de un edificio, garaje o cualquier otro espacio cerrado.

Lea las instrucciones antes de montar y utilizar el aparato.

NO utilice la plancha a menos que esté completamente montada, y todas las piezas estén bien sujetas. Esta plancha se volverá muy caliente, no la mueva durante el uso. Manténgase alejado de los niños y las mascotas.

¡PÓNGASE EN CONTACTO CON NOSOTROS PRIMERO!

Esta plancha ha sido hecha con altos estándares de calidad.

Si tiene alguna pregunta que no se aborde en este Manual del Usuario, o necesita piezas, llame a nuestra línea directa de servicio al cliente o envíe un correo electrónico a service@royalgourmetusa.com

Por favor, guarde este Manual del Usuario para futuras referencias.

Aprender más en:

www.royalgourmetcorp.com

Para su seguridad	17-18
Preparación	19
Lista de piezas y hardware	20
Instrucciones de montaje	21
Instrucciones de funcionamiento	22-23
Limpieza y mantenimiento	24-25
Guía de solución de problemas	26
Recetas a la parrilla	27-28
Garantía y servicio al cliente	29

IMPORTANTE:

Lea cuidadosamente las siguientes instrucciones y asegúrese de que su plancha esté adecuadamente instalada, ensamblada y cuidada para su uso. El incumplimiento de estas instrucciones puede provocar serias lesiones personales y/o daños materiales. Nunca ubique el cilindro a la derecha de la barbacoa. Siempre coloque el cilindro atrás y a la izquierda del artefacto. El cilindro debe ser situado lo más lejos posible del artefacto sin deformar la manguera.

1. NO almacene o utilice gasolina o vapores o líquidos inflamables a menos de 8m (26 pies) de la plancha.
2. Al cocinar con aceite/grasa, no permita que el aceite/grasa supere la temperatura 177 °C (350 °F). NO almacene aceite de cocina adicional cerca de la plancha.
3. El tanque (cilindro) de LP (propano) líquido no conectado para su uso debe almacenarse a una distancia mínima de 3 m (10 pies) de la plancha o cualquier aparato.
Nunca llene el cilindro de gas de LP más allá del 80 por ciento de capacidad. Si no se cumplen estrictamente esas instrucciones, existe el riesgo de incendio que puede causar lesiones graves o la muerte.

En caso de cualquier problema, ¡llámenos primero! NO devuelva la plancha al minorista. Esta plancha ha sido hecha con altos estándares de calidad. Si tiene alguna pregunta que no figure en este manual del usuario, o necesita piezas, llame a nuestra línea directa de atención al cliente.

NOTA: El montaje y uso de esta plancha deben cumplir con los códigos locales. A falta de códigos locales, utilice el Código Nacional de Instrucción de Gas y Propano. Lea todas las instrucciones antes del montaje y uso.

PRECAUCIÓN:

1. Se requiere un tanque de gas propano de 1 lb. (454 g) (no incluido) para su funcionamiento.
2. Nunca intente conectar esta plancha al sistema autónomo de propano de una caravana, casa rodante o casa.
3. Nunca use carbón o líquido encendedor con planchas de gas.
4. NO intente mover la plancha mientras está encendida o caliente.
5. NO utilice la plancha a menos que esté completamente montada, y todas las piezas estén bien sujetas y apretadas.
6. NO utilice la plancha ni ningún producto de gas cerca de edificios y materiales combustibles sin protección.
7. NO la utilice en presencia de gases o vapores. Mantenga el área de la plancha libre de materiales combustibles, gasolina y otros vapores y líquidos inflamables.
8. NO toque las partes metálicas de la plancha hasta que se haya enfriado completamente (aproximadamente 45 minutos) para evitar quemaduras, a menos que esté usando equipo de protección (guantes de cocina, agarraderas, etc.).
9. NO altere la plancha de ninguna manera.
10. Mantenga todos los elementos y superficies combustibles al menos a 91 cm (36 pulgadas) de la plancha en todo momento.
11. Nunca guarde un tanque de gas LP lleno en un coche o camión caliente. El calor puede hacer que la presión del gas aumente, que puede abrirse, lo que puede hacer que la válvula de alivio se abra y permita que el gas escape.
12. Mantenga limpios el compartimento de la válvula de la plancha, los quemadores y los conductos de aire circulante. Inspeccione la plancha antes de cada uso.
13. Asegúrese de usar su plancha a la presión correcta para la que está diseñado el electrodoméstico. Antes de la instalación, asegure que las condiciones de distribución locales (la naturaleza de la presión de gas y de gas) y el ajuste de la aplicación son compatibles.
14. Una adecuada ventilación es vital para la combustión y para un rendimiento eficiente de la barbacoa. Esto asegurará la seguridad del usuario y de otras personas en las áreas vecinas donde el artefacto está siendo usado. Nunca use el artefacto en un área cubierta o cerrada.
15. Las partes precintadas por el fabricante ó su agente no deben ser manipuladas por el usuario.

16. Cualquier modificación al artefacto puede ser peligrosa y puede causar lesiones ó daños a la propiedad.

Any unauthorized modification of the appliance will invalidate the guarantee on this appliance.

17. Cierre la válvula del cilindro de gas ó el regulador luego de su uso.

ADVERTENCIA:

1. Esta plancha es sólo para uso al aire libre y no debe utilizarse dentro de un edificio, garaje, o cualquier otro espacio cerrado.
2. El consumo de alcohol, medicamentos recetados o de venta libre puede afectar la capacidad de los operadores para ensamblar correctamente o operar la plancha de manera segura.
3. Coloque siempre la plancha en una superficie dura y nivelada lejos de los combustibles.
4. No dejar una plancha iluminada desatendida. SIEMPRE mantenga a los niños y mascotas lejos de la plancha.
Los niños nunca deben usar su plancha. SIEMPRE mantenga a los niños y las mascotas alejados de la plancha.
5. No coloque la plancha sobre ningún tipo de superficie de mesa.
6. No utilice la plancha con vientos fuertes. Cuando la velocidad del viento esté por arriba de los 7,2 km/hora, no use la plancha a gas mirando hacia el viento.
7. El uso de este artefacto en lugares cerrados puede ser peligroso y está terminantemente PROHIBIDO.

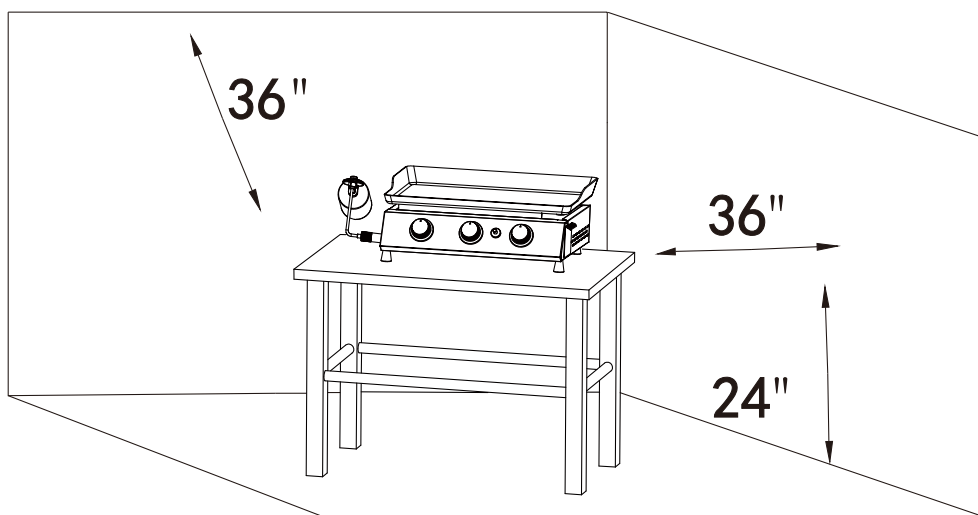
PELIGRO:

El gas propano líquido es inflamable y peligroso si se manipula incorrectamente. Comprender las características antes de utilizar cualquier producto de propano.

1. Características de propano: inflamable, explosivo bajo presión, más pesado que el aire, se asienta en piscinas y áreas bajas.
2. En su estado natural, el propano no tiene olor. Para su seguridad, se ha añadido un olor.
3. El contacto con el propano puede provocar quemaduras de congelación en la piel.
4. Esta plancha se envía desde la fábrica para su uso con gas propano solamente.
5. Nunca utilice un tanque de propano con un cuerpo, válvula, anillo o base dañados.
6. Los cilindros de propano abollados u oxidados pueden ser peligrosos y deben ser revisados por su proveedor de gas propano.

PARA SU SEGURIDAD

1. Mantenga la plancha al menos a 91cm (36 pulgadas) desde las partes lateral y trasera, y a 61cm (24 pulgadas) desde el fondo, de materiales y estructuras combustibles y no combustibles.
2. No coloque la plancha donde haya superficies combustibles por encima.



Antes de comenzar el montaje, asegúrese de que todas las piezas estén presentes. Compare las piezas con la lista de contenidos empaquetados y diagramas anteriores. Si falta alguna pieza o está dañada, no intente ensamblar los productos. Póngase en contacto con el servicio de atención al cliente para obtener piezas de repuesto por teléfono o correo electrónico.



Destornillador Phillips

Llave Inglesa

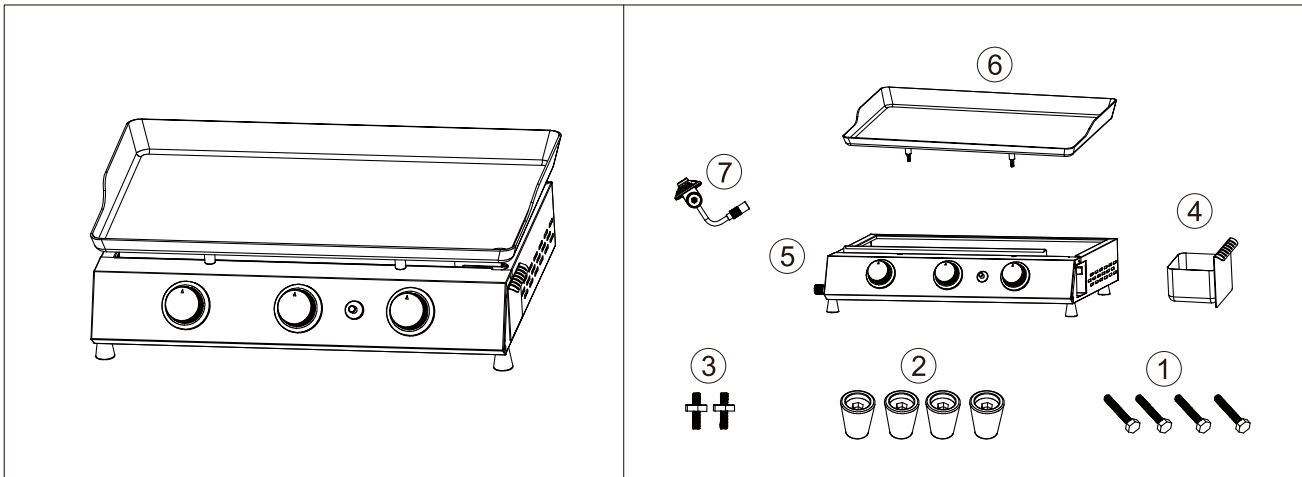
- Tiempo estimado de montaje: 10 minutos
- Herramientas requeridas para el montaje:
Destornillador Phillips (no incluido) y Llave Inglesa (no incluido)
- Nota: Los lados derecho e izquierdo de la plancha están diseñados como si estuvieras frente a la parte delantera de la plancha.



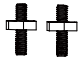
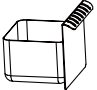





ADVERTENCIA DE LA PROPOSICIÓN 65 DE CALIFORNIA

1. Los combustibles utilizados en los aparatos que queman gas y los subproductos de la combustión de dichos combustibles pueden exponerlo a sustancias químicas, incluido el monóxido de carbono, que según el Estado de California causa defectos de nacimiento u otros daños reproductivos.
2. Este producto contiene Níquel (Metálico) conocido en el Estado de California como causante de cáncer.
3. Este producto contiene Plomo y Compuestos de Plomo que el Estado de California reconoce como causantes de cáncer y defectos de nacimiento u otros daños reproductivos.

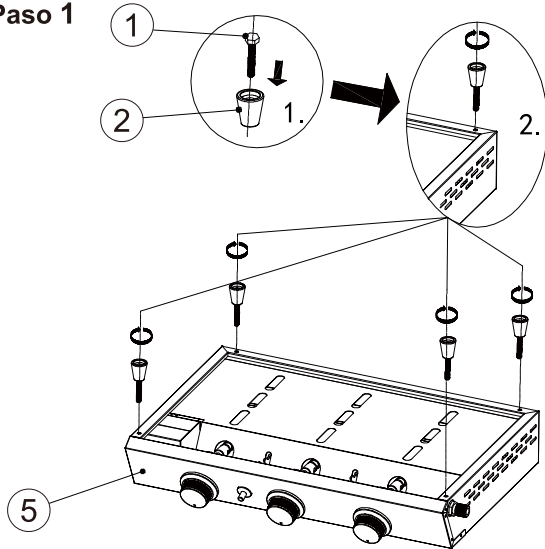
Para más información, visite: www.P65Warnings.ca.gov



Ref.	Descripción	Ilustración	Cant.
1.	Tornillo (M4×30)		4
2.	Base de pata JS206		4
3.	Espárrago con tuerca integrada		2
4.	Recipiente de recogida de grasas GHLT5YB		1

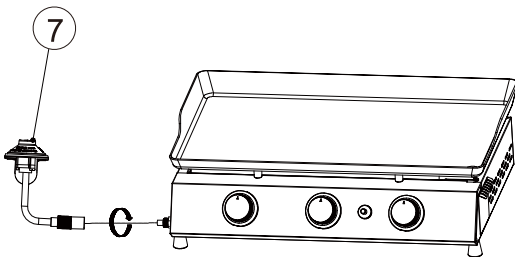
Ref.	Descripción	Ilustración	Cant.
5.	Cuerpo principal		1
6.	Plancha GHJP23B-C		1
7.	Regulador W-11020007		1

Paso 1



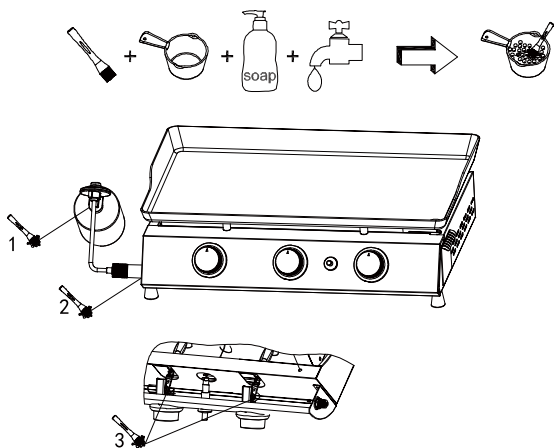
Introducir 4 tornillos (1) en las bases de las patas (2); a continuación montar los 4 conjuntos de las bases de las patas en la parte inferior del cuerpo principal (5) girándolas en el sentido de las agujas del reloj hasta que queden bien apretadas.

Paso 3



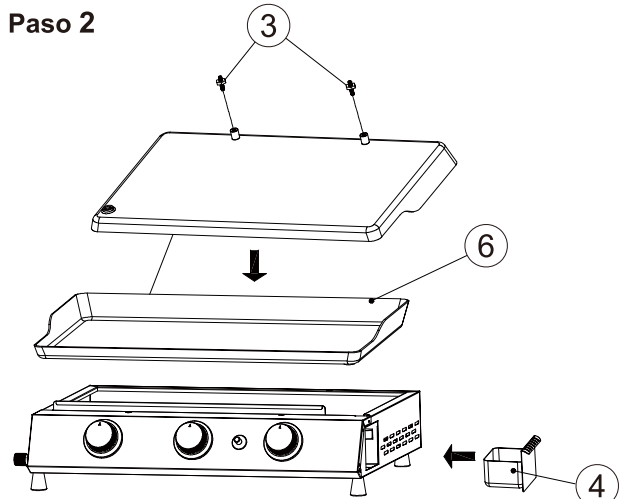
Conectar el regulador (7) al cuerpo principal.

Paso 5



Antes de su uso, llevar a cabo el test de fugas de la tanque de gas como se muestra.

Paso 2

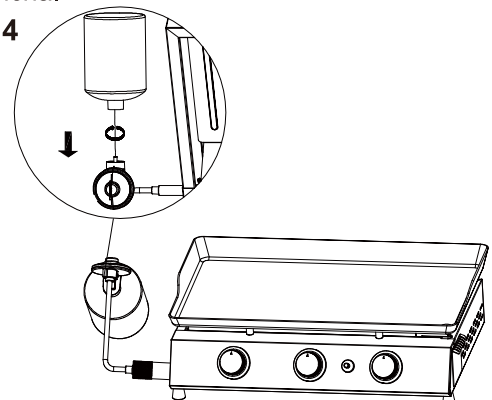


Inserte la recipiente de recogida de grasas (4) al costado del cuerpo principal.

Primero, ponga 2 pernos (3) y apriételes en la parte inferior de la plancha (6). Ajustar las tuercas asegurando la planitud de la plancha.

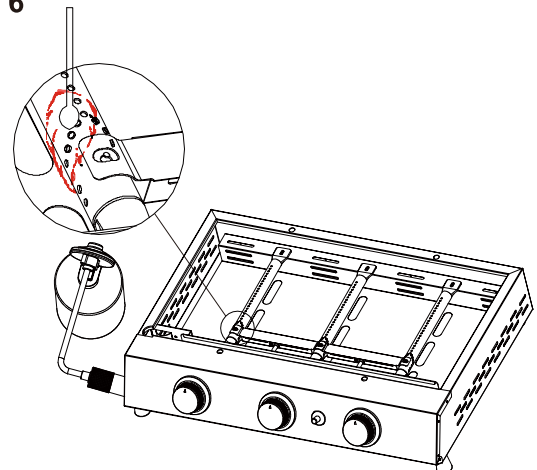
Y tal como se muestra en la figura, recomendamos dejar unos pocos centímetros de espacio entre cada tuerca y la plancha.

Paso 4



Introducir la boquilla del regulador en la tanque de gas de 1 libra (no incluida) y apretarla manualmente girándola en el sentido de las agujas del reloj, como se muestra.

Paso 6



Considere encender el quemador manualmente con una cerilla encendida según se muestra si no consigue encender el mismo con el mecanismo de encendido piezoeléctrico.

INSTRUCCIONES DE USO

Su nueva plancha ha sido diseñada y fabricada con altos estándares de calidad.

Le dará muchos años de tiempo de parrillas divertido, sin embargo, necesita un mínimo de mantenimiento.

Siga estas instrucciones cuidadosamente para evitar dañar seriamente su barbacoa y causar lesiones personales y a la propiedad.

1. Ensamble la plancha siguiendo cuidadosamente las siguientes instrucciones de montaje.
2. Conecte el 1lb. tanque de propano a la plancha (tanque de propano no incluido).
3. Gire todas las perillas a la posición "apagado" (OFF) antes de abrir el paso de gas al artefacto.
4. Maneje el regulador de acuerdo a las instrucciones provistas con el mismo.

Compruebe siempre visualmente la plancha antes de encenderlo. Busque cualquier cosa que pueda bloquear la ventilación y eliminar tal obstrucción o mover la plancha.

After lighting, check the flame pattern to ensure you have even heat distribution for each burner. If burners don't light up, or if the flame pattern is uneven, see the Troubleshooting section.

ADVERTENCIA

1. Lea las instrucciones antes de la iluminación.
2. Si el encendido no se produce en 5 segundos, apague los controles del quemador, espere 5 minutos y repita el procedimiento de iluminación.

ENCENDIDO DE LOS QUEMADORES MEDIANTE ENCENDIDO PIEZOELÉCTRICO

1. Gire todas las perillas de control a la posición OFF (apagado).
2. Conecte el tanque de gas a la válvula reguladora.
3. Presione la perilla de control y gírela en sentido contrario a las agujas del reloj hasta la posición HI. El quemador debería encenderse inmediatamente.
4. Si el quemador no se enciende, gire la perilla de control a la posición OFF, espere 5 minutos antes de intentar volver a encender el quemador.
5. Si el quemador se enciende, repita el procedimiento para los demás quemadores y gire las perillas de control para obtener el ajuste de temperatura requerido para sus alimentos.

* Si los quemadores siguen sin encenderse, compruebe el suministro de gas.

ILUMINACIÓN MANUAL DE LOS QUEMADORES CON FÓSFORO

1. Gire todas las perillas de control a la posición OFF (apagado).
2. Conecte el tanque de gas a la válvula reguladora.
3. Retire la plancha de cocción y coloque el fósforo encendido cerca de los puertos del quemador.
4. Presione la perilla de control y gírela en sentido contrario a las agujas del reloj hasta la posición HI. El quemador debería encenderse inmediatamente.
5. Si el quemador no se enciende, gire la perilla de control a la posición OFF, espere 5 minutos antes de intentar volver a encender el quemador.
6. Si el quemador se enciende, repita el procedimiento para los demás quemadores y gire las perillas de control para obtener el ajuste de temperatura requerido para sus alimentos.

* Si los quemadores siguen sin encenderse, compruebe el suministro de gas.

APAGAR LA PLANCHA

1. Gire todas las perillas de control de los quemadores a la posición APAGADO.
2. Desconecte el tanque de gas de la válvula reguladora.

ADVERTENCIA

¡No utilice alcohol o gasolina para encender o reencender!

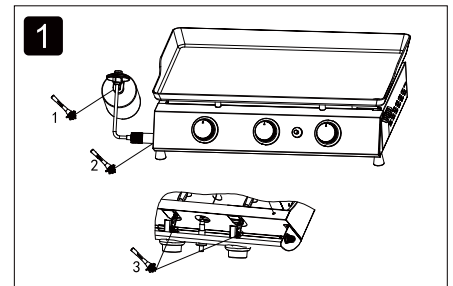
ANTES DE USAR POR FAVOR REVISE LAS FUGAS

Nunca controle las fugas con una llama, siempre use una solución de agua jabonosa.

PREBA DE FUGAS

Se debe realizar una prueba de fugas cada vez que se rellene o cambie un tanque de propano. No fume ni utilice ningún tipo de material inflamable en la zona durante esta prueba de fugas. No use una llama abierta para comprobar si hay fugas.

1. Pruebe al aire libre en un área bien ventilada.
2. Asegúrese de que todos los quemadores estén en la posición de APAGADO.
3. Si las advertencias 1 y 2 no se cumplen estrictamente, existe el riesgo de que se produzcan incendios que puedan causar graves víctimas.
4. Mezcle una solución de agua y jabón suave al 50 %. No utilice ninguna solución limpiadora doméstica.
5. Conecte el regulador a la plancha, y conecte la bombona de gas al regulador, asegúrese de que las conexiones son seguras. Si escucha un sonido de apuro, desconecte la bombona de gas inmediatamente. En ese caso, podría haber una fuga en la conexión. Vuelva a conectar la bombona de gas al regulador.
6. Rocíe o cepille la solución de detergente para lavavajillas que cubre las siguientes áreas. (Figura 1)
7. Las burbujas que se producen en cualquiera de las piezas y conexiones mencionadas anteriormente indican una fuga de gas. Desconecte inmediatamente la botella. Vuelva a apretar las conexiones o pida piezas de repuesto según sea necesario. Continúe probando según sea necesario hasta que no se detecten fugas. Si la fuga detectada no puede ser rectificada, no intente curar la fuga sino que consulte a su distribuidor de gas.
8. Desconecte la bombona de gas de la plancha después de la prueba.



Si huele gas:

1. Apague el suministro de gas a la plancha.
2. Extinga cualquier llama abierta.
3. Si el olor permanece, manténgase alejado de la parrilla y llame inmediatamente a su departamento de bomberos. El incumplimiento de estas instrucciones podría provocar un incendio, una explosión o quemaduras, que podrían causar daños a la propiedad, lesiones personales o la muerte.

TANQUE DE GAS

1. El aparato debe utilizarse con una bombona de gas de 1 libra.
2. ¡No deje caer ni manipule bruscamente el depósito de gas! Si el aparato no está en uso, el tanque de gas debe ser desconectado. Vuelva a colocar la tapa protectora en el bombona de gas después de desconectar el bombona de gas del aparato.
3. La bombona de gas debe guardarse al aire libre en posición vertical y fuera del alcance de los niños.
4. El depósito de gas no debe almacenarse nunca en lugares donde las temperaturas puedan superar los 50 °C (122 °F).
5. No almacene el tanque de gas cerca de llamas, luces piloto u otras fuentes de ignición.
6. NO FUMAR CERCA DEL TANQUE DE GAS. El tanque de gas debe mantenerse alejado de cualquier fuente de ignición.
7. No almacene ni utilice gasolina u otros líquidos o vapores inflamables cerca de este o cualquier otro aparato.

ADVERTENCIA

1. No limpie ninguna parte de la plancha en un horno autolimpiante.
2. No utilice limpiadores de horno, limpiadores de cocina abrasivos, limpiadores que contengan productos cítricos o alcoholes minerales.
3. Limpie su plancha regularmente para evitar la acumulación de grasa, incendios de grasa o brotes excesivos.
4. Siempre deje que la plancha se enfríe antes de la limpieza.

ATENCIÓN: Toda la limpieza y el mantenimiento deben llevarse a cabo cuando el aparato se haya enfriado y con el suministro de combustible cortado en el tanque de LP o en el regulador.

ACERO INOXIDABLE Limpie con un pulidor para metales o acero inoxidable multiusos, de baja abrasión, sin fósforo y un paño suave. Siempre pule en la dirección del acabado. No permita que se acumule grasa ni suciedad. Además, varios productos y sustancias de origen natural pueden dañar todos los acabados de acero inoxidable. Estos incluyen, pero no se limitan a, productos químicos de la piscina (cloro y bromo), fertilizantes de césped y jardín, productos que se derriten al hielo, agua salada de mar u otra, orina, excrementos de aves y savia de árboles. Al ponerse en contacto con estas sustancias, lave y seque inmediatamente la superficie de acero inoxidable y tenga cuidado de evitar quemaduras.

PLANCHA La mayoría de los alimentos se pueden limpiar raspando y limpiando la plancha con una toalla de papel o con un suave paño húmedo. Para eliminar los residuos difíciles de alimentos, puede utilizar un limpiador en crema suave y una almohadilla. También puede utilizar agua jabonosa o una toalla de papel y 1/4 taza de sal de mesa como otro método para limpiar la plancha. Enjuagar bien y secar.

OTRAS SUPERFICIES EXTERIORES Lave con un detergente suave para lavar platos y agua tibia. Puede usar un paño, un cepillo suave (no metálico) o una almohadilla de limpieza de plástico. Enjuague bien y seque.

RECIPIENTE DE RECOGIDA DE GRASAS Compruebe después de cada uso. Retire y vacíe el taza de grasa a cuando esté medio lleno. Se puede lavar con agua tibia y detergente suave para platos.

QUEMADORES Le recomendamos que limpie sus quemadores al menos dos veces al año, o antes de su uso si la plancha no se ha utilizado en más de un mes.

ADVERTENCIA

Pequeños insectos y arañas pueden entrar en los tubos de los quemadores. A veces, construirán nidos o tejerán redes que pueden bloquear o reducir la cantidad de gas que fluye a través del quemador. Por lo general, verá una llama más pequeña, o una llama que es principalmente amarilla en lugar de azul, que sale del quemador cuando esto sucede. Otros signos incluyen que la plancha genera calor poco uniforme o desigual, o dificultad para encender los quemadores. En casos de bloqueo severo, esto puede dar lugar a la combustión de las llamas hacia atrás y fuera del tubo de combustión, lo que dañaría la parilla y/o causaría lesiones corporales. **CIERRE INMEDIATAMENTE EL FLUJO DE GAS PROPANO EN EL TANQUE O CIERRE EL REGULADOR SI ESTO OCURRE.** Espere a que la plancha se enfríe y luego limpie todos los quemadores.

LIMPIAR LOS QUEMADORES

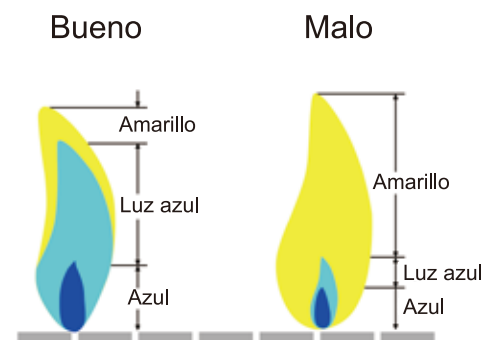
1. Asegúrese de que el gas esté apagado en el tanque de propano.
2. Retire la plancha de cocción.
3. Levante cada quemador hacia arriba y hacia fuera.
4. Limpie el interior del quemador con un cable rígido. Una percha enderezada funcionará. Una alternativa es utilizar aire comprimido. Siempre use equipo protector para sus ojos cuando use este método. Nunca agrande los puertos del quemador durante la limpieza.
5. Cepille la superficie exterior del quemador.
6. Asegúrese de que todos los puertos (agujeros) estén libres de escombros.
7. Inspeccione los quemadores. Reemplace cualquiera que tenga grietas o puertos agrandados.
8. Reemplace la plancha de cocción.
9. Realice la prueba de fugas descrita anteriormente en este Manual del Usuario.

ADVERTENCIA

La ubicación adecuada del quemador y la válvula es vital para garantizar la seguridad.

LLAMAS DEL QUEMADOR

Compruebe siempre los patrones de llama del quemador después de encenderlo. Una buena llama debe ser principalmente azul con una punta amarilla y tener una cantidad mínima de parpadeo. Algunas puntas amarillas están bien si son menores de 2,5 cm (1"). Los nuevos quemadores a veces tienen residuos de aceite, que causarán llama amarilla cuando se queman. Los cambios en el suministro de gas, la altitud del mar, el tiempo y otros factores influyen en el rendimiento de los quemadores. Las planchas más viejas también pueden mostrar más llama amarilla debido al depósito de alimentos, aceite y acumulación de grasa.



SIEMPRE

1. Mantenga el área de la plancha libre de materiales combustibles, gasolina y otros vapores y líquidos inflamables.
2. No obstruya el flujo de aire para la combustión y la ventilación.
3. Mantenga las aberturas de ventilación de la carcasa del tanque de gas libres de escombros.

ALMACENAMIENTO DE LA PLANCHA

1. Limpie la plancha antes de almacenarla.
2. El almacenamiento de una plancha de gas en el interior sólo es permisible si el tanque de propano se desconecta y se retira de la plancha de gas.
3. Cubra la plancha.
4. Realice una prueba de fugas antes de usar la plancha después de que se ha mantenido en el almacenamiento durante algún tiempo.

EL QUEMADOR NO SE ENCIENDE

(USANDO UNA TANQUE DE GAS DE 0,45 KG (1 LB.))

- Asegúrese de que la bombona de gas todavía tenga combustible agitándola suavemente-se oirá el ruido del líquido en el interior si queda combustible.
- Compruebe que la rejilla de entrada de aire del tubo venturi no esté cubierta u obstruida.
- Compruebe que los orificios de los quemadores estén despejados. Si están obstruidos, con la bombona de gas desconectada, puede cepillar suavemente los orificios con un cepillo pequeño.
- Compruebe que el mecanismo de encendido esté generando chispa hacia el quemador (mejor comprobar en un lugar a la sombra). Si el quemador aun así no enciende, repita los pasos anteriores con otra bombona de gas.

EL QUEMADOR NO SE ENCIENDE

(USANDO UNA TANQUE DE GAS DE 9 KG (20 LB.) CON TUBO DE CONVERSIÓN)

- Revise todos los pasos en la sección anterior sobre bombonas de gas.
- Asegúrese de que la válvula de suministro de la tanque de gas esté abierta (gire en sentido contrario a las agujas del reloj hasta que haga tope).
- Asegúrese de que los orificios en ambos extremos del tubo de conversión no estén obstruidos o dañados.
- Enderece cualquier pliegue pronunciado en el tubo de conversión.

LA PLANCHA NO ALCANZA SUFICIENTE TEMPERATURA

(USANDO UNA TANQUE DE GAS DE 0,45 KG (1 LB.))

- Agite suavemente la bombona de gas para asegurarse de que haya suficiente combustible para su funcionamiento, se oirá el ruido del líquido en el interior si queda combustible.
- Compruebe que la rejilla de entrada de aire del tubo venturi no esté cubierta u obstruida.
- Pruebe el circuito de gas en busca de fugas.

LA PLANCHA NO ALCANZA SUFICIENTE TEMPERATURA

(USANDO UNA TANQUE DE GAS DE 9 KG (20 LB.) CON TUBO DE CONVERSIÓN)

Hay un dispositivo de seguridad en su tanque de gas diseñado para reducir el flujo de gas siempre que ocurra una fuga. Cuando este dispositivo está activo, comúnmente se le llama "bypass". Este dispositivo puede activarse inadvertidamente si no sigue los procedimientos de encendido adecuados. Si encuentra una llama baja, debe hacer lo siguiente:

- 1) Apague la plancha.
- 2) Cierre completamente la válvula de alivio de seguridad de la tanque.
- 3) Desconecte el tubo de conversión de la válvula y vuelva a conectarlo.

A continuación, reinicie siguiendo los procedimientos adecuados:

- 1) Asegúrese de que el mando de control de la plancha esté en la posición de APAGADO.
- 2) Abra lentamente la válvula de la tanque de gas por completo. Gire la válvula de mano de la tanque aproximadamente 1/4 de vuelta cada 10 segundos.
- 3) ESPERE 5 SEGUNDOS.
- 4) Siga los pasos para el encendido.

Si su problema no se resuelve a partir de la información anterior,
póngase en contacto con su distribuidor de gas local.

Calor Directo

TABLA DE TEMPERATURA INTERNA DE LA TERNERA			
Grado de cocción	Temperatura del núcleo interno	Descripción interna	Firmeza
Poco hecha	125 °F	El centro es rojo brillante, rosáceo hacia la parte exterior y templado completamente.	Suave al tacto
Medio hecha	130-135 °F	Centro muy rosa, ligeramente marrón hacia la parte exterior y ligeramente caliente	Cede ligeramente al tacto
Medio	140-145 °F	Centro rosa claro, parte exterior marrón y caliente completamente.	Comienza a ser firme al tacto
Hecha	150-155 °F	Mayormente gris-marrón por toda la pieza y un poco de rosa en el centro.	Firme al tacto
Bien hecha	155 °F y superior	Filete todo marrón-gris.	Firme o duro al tacto
TABLA DE TEMPERATURA INTERNA DE AVES			
Pollo entero	165 °F	Cocinas hasta que el jugo sea transparente	Firme al tacto
Carne oscura	165 °F	Cocinar hasta que esté todo blando pero jugoso	Firme al tacto
Pechuga	165 °F	Cocinar hasta que esté todo blando pero jugoso	Firme al tacto
Muslo, alitas y patas	165 °F	Mayormente marrón-gris con un poco de rosa en el centro	Firme al tacto
TABLA DE TEMPERATURA INTERNA DEL CERDO			
Medio	150 °F	Rosa en el centro	
Bien hecho	160 °F y superior	Cerdo blanco/marrón uniforme	
Costillas de cerdo	180-200 °F	Blanco pálido y dorado. Cocción media a bien hecha.	
Salchicha salchicha cruda	160 °F	Sin partes rosas	
Salchicha (precocinada)	140 °F	Sin partes rosas	

FILETES (Y TODAS LAS CARNES):

- Cocine los alimentos en el lado de carbón de la unidad, directamente sobre las brasas/calor.
- Para asar carnes, eleve la rejilla de fuego a la posición alta (caliente) y ase durante un minuto cada lado con la tapa cerrada para que absorba el sabor y los jugos. Luego baje la rejilla de fuego a la posición media con la tapa cerrada y cocine cuanto desee.
- Controlar el calor con apagadores duales y rejilla ajustable de fuego.

Consejo:

coloque la carne a la parrilla de nuevo en el adobo durante varios minutos antes de servirla, se volverá más sabrosa y jugosa.

PRECAUCIÓN:

hierva el adobo primero para matar las bacterias que permanecen de la carne cruda.

FILETE DE COSTADO EN ADOBO:

- Mezcle los ingredientes del adobo en un plato no metálico.
- Deje que el filete en el adobo durante al menos 4 horas en la nevera.
- Dore cada lado durante 5 minutos, pero el centro debe permanecer crudo.
- Corte el filete diagonalmente a través de la veta en rodajas finas antes de servir.
- Ase con la rejilla de fuego en la posición alta (caliente) con la tapa abierta o cerrada.

Adobo de carne

- 1/2 taza de aceite vegetal o de oliva
- 1/3 taza de salsa de soja
- 1/4 taza de vinagre de vino tinto
- 2 cucharadas de zumo de limón
- 1 cucharadita de mostaza seca
- 1 diente de ajo picado
- 1 cebolla picada
- 1/4 cucharadita de pimienta

CODORNIZ O PERDIZ:

- Cubrir las aves con especias y dejar en adobo toda la noche.
- Vierta el aderezo restante y cúbralo con la salsa Texas Pete Hot Sauce durante 6 horas.
- Envuelva las aves en panceta sujeta con un palillo.
- Colocar en la parrilla. Siga girando hasta que el tocino esté negro.
- Asar durante 20 minutos. Ase con la tapa abierta y coloque la parrilla en la posición alta (caliente) durante 1 minuto por cada lado antes de bajar la rejilla y cerrar la tapa.
- Ahumar y colocar las aves en el centro de las rejillas de fuego en ambos extremos de la caja de combustión.

PERRITOS CALIENTES:

- Asar con la tapa abierta y las rejillas para cocinar en posición alta (caliente) durante aproximadamente 6 minutos.
- Gire cada pocos minutos.

MAZORCA DE MAÍZ:

- Recorte el exceso de hebras del extremo y sumérjalo en agua fría con sal durante 1 hora antes de asar.
- Asar a la parrilla durante 25 minutos, girando varias veces.

BROCHETAS:

- Alterne en los pinchos cualquier combinación de carne, cebolla, tomate, pimiento verde, champiñones, calabacín, rodajas de mazorca de maíz o piña. La carne puede ser camarones, vieiras, langosta, pollo, salchichas, carne de cerdo, carne de res, etc.
- Marinar la carne en la nevera durante varias horas.
- Ase cada lado aproximadamente 7 minutos girando ocasionalmente mientras rocía con adobo.
- Deje un poco de espacio libre entre las piezas para que se cocinen más rápido.
- Asar con la tapa abierta y las rejillas para cocinar en la posición más baja.

Adobo de brochetas:

- 1 taza de salsa de soja
- 1/2 taza de azúcar moreno
- 1/2 taza de vinagre
- 1/2 taza de zumo de piña
- 2 cucharaditas de sal
- 1/2 cucharadita de ajo en polvo
- Mezcle todos los ingredientes en un cazo y deje hervir.
- Deje que el adobo se enfríe antes de adobar la carne.
- Adobar la carne en la mezcla durante un mínimo de 4 horas.

HAMBURGUESAS:

Consultar el adobo de carne en las páginas anteriores.

También puede adobar dejando reposar en el adobo durante 1 o 2 horas a temperatura ambiente antes de cocinar o dejar reposar en un plato cubierto en el refrigerador durante 24 horas.

- Dejar que alcance la temperatura ambiente antes de cocinar.
- Mezcle las cebollas picadas, los pimientos verdes, la sal, dore ambos lados de las hamburguesas de 3/4 de pulgada con las parrillas de cocción en la posición alta durante unos minutos.
- Baje la rejilla de fuego a la posición media y la parrilla con la tapa cerrada para evitar llamaradas.
- Cocine cada lado de 3 a 7 minutos según la cocción deseada.
- Cocine la carne molida a 150 en el interior o hasta que el jugo salga transparente (sin sangre) para prevenir el e-coli.
- Puede añadir adobo a la carne de las hamburguesas al girarlas o puede añadir otros ingredientes mezclados con la carne molida, como salsa o polvo de chile.

GAMBAS (Peladas) Y CANGREJO:

- Colocar en pinchos.
- Cubrir con mantequilla derretida y sal de ajo.
- Asar durante 4 minutos por cada lado o hasta que esté rosa. Salsa de cóctel opcional

PATATAS AL HORNO:

- Cubrir con mantequilla, envolver en papel de aluminio y cocinar en la parrilla con la tapa cerrada durante 50 minutos.
- Girar después de 25 minutos (no es necesario girarlo si va a ahumar).
- Apretar para comprobar la cocción.

Gracias por adquirir la Plancha de Royal Gourmet ®.

Royal Gourmet garantiza que sus productos no presentan defectos de fabricación, ni de material ni de la mano de obra, si se los ensambla correctamente, se los utiliza de forma normal y se los cuida según las recomendaciones, durante un período de 1 año a partir de la fecha de compra original. La garantía de Royal Gourmet no cubre el acabado de la pintura ya que puede salirse durante el uso normal. **RUST no se considera una de fabricación o materiales defecto.**

Durante cinco años a partir de la fecha de compra, cualquier quemador de acero inoxidable que se oxide será reemplazado sin cargo.

Durante el período de vigencia establecido de la garantía, Royal Gourmet, a su criterio, reemplazará los componentes defectuosos sin costo alguno, debiendo hacerse responsable el propietario de los gastos de envío. Royal Gourmet se reserva el derecho de exigir la devolución de las piezas defectuosas, enviadas con el porte o el flete pagado por el consumidor, para ser revisadas y examinadas. En cas de problèmes de disponibilité des pièces, Royal Gourmet se réserve le droit de remplacer des pièces similaires qui sont également fonctionnels.

Después de la fecha de vencimiento de la garantía, finalizarán todas las responsabilidades.

***Nota:** A fecha de recibo con el número de modelo y el número de serie de compra serán necesarios para el servicio de garantía.

Esta garantía limitada no ampara el costo en el que se incurra por inconvenientes, alimentos, lesiones ni daños a la propiedad. Cualquier cobertura de garantía será nula si esta plancha se utiliza con fines comerciales o de alquiler. Esta garantía limitada atañe ÚNICAMENTE al funcionamiento del producto y no ampara rayones, abolladuras, corrosión ni decoloración ocasionada por el calor, los productos de limpieza abrasivos y químicos, ni por las herramientas usadas en el armado o en la instalación del aparato, oxidación de las superficies ni decoloración de las superficies de acero inoxidable.

LO QUE NO ESTÁ CUBIERTO EN EL SERVICIO DE GARANTÍA

Cualquier falla o problema de funcionamiento debido a un accidente, uso indebido o incorrecto, alteración, uso para otros fines, vandalismo, instalación incorrecta o mantenimiento o reparación inadecuados, o el incumplimiento del mantenimiento de rutina, incluyendo, pero sin limitarse a, daños causados por insectos dentro de los tubos del quemador, como se especifica en el manual del propietario.

Deterioro o daños debidos a condiciones meteorológicas severas, como granizo, huracanes, terremotos o tornados, decoloración debido a exposición a productos químicos ya sea directamente o en el ambiente.

Costo de llamadas de servicios.

Costos de envío o transportación.

La recogida y el envío de su producto.

Costos de devolución o reinstalación.

Costo de mano de obra por reinstalación o reparaciones.

Responsabilidad por daños indirectos o consiguientes.

Esta garantía Limitada es la única garantía entregada por Royal Gourmet y eemplaza a todas las demás garantías, expresas o implícitas, incluidas las garantías implícitas de comercialización o idoneidad para cualquier fin en particular. Ni Royal Gourmet ni el establecimiento minorista que ofrece este producto, tienen autoridad alguna para otorgar garantías o prometer otros recursos que sean adicionales o inconsistentes con los establecidos previamente.

La responsabilidad máxima de Royal Gourmet, en todos los casos, no superará el precio de compra del producto que el cliente o comprador original pagó. Algunos estados no permiten la exclusión o limitación de daños accidentales o resultantes. En dicho caso, no se aplicarán las exclusiones o limitaciones anteriores.

No devuelva piezas sin antes obtener la autorización de devolución de nuestro departamento de servicio al cliente.

Excepto como se indicó anteriormente, Royal Gourmet Corp. no ofrece ninguna otra garantía expresa.

Esta garantía puede darle derechos legales específicos que varían según el estado.

Si tiene alguna duda sobre el nuevo montaje, la garantía o el anexo, por favor póngase en contacto con nuestro servicio al cliente. Estaremos encantados de ofrecer cualquier pieza de repuesto que necesite durante el período de garantía.



1-800-618-6798



service@royalgourmetusa.com



Lun.-- Vie., 8:30 AM-5:30 PM, EST.

Plancha à gaz portative à 3 brûleurs

MANUEL DE L'UTILISATEUR



801261



Service à la clientèle

☎ 1-800-618-6798

POUR VOTRE SÉCURITÉ!

Utilisez uniquement à l'extérieur! Ne l'utilisez pas dans un bâtiment, un garage ou tout autre espace fermé. Lisez les instructions avant d'assembler et d'utiliser l'appareil. N'utilisez PAS le plancha s'il n'est pas complètement assemblé et que toutes les pièces sont solidement fixées. Ce plancha deviendra très chaud, ne le déplacez pas pendant l'utilisation. Tenir à l'écart des enfants et des animaux.

CONTACTEZ-NOUS D'ABORD!

Ce plancha a été fabriqué selon des normes de qualité élevées. Si vous avez des questions qui ne sont pas traitées dans ce manuel de l'utilisateur, ou si vous avez besoin de pièces, veuillez appeler notre service de clientèle ou envoyer un courriel à service@royalgourmetusa.com. Veuillez conserver ce manuel de l'utilisateur pour référence ultérieure.

Pour en savoir plus:

www.royalgourmetcorp.com

Pour votre sécurité	32-33
Préparation	34
Liste des pièces et du matériel	35
Instructions d'assemblage	36
Instructions d'utilisation	37-38
Nettoyage et entretien	39-40
Guide de dépannage	41
Recettes de grillades	42-43
Garantie et service de clientèle	44

ATTENTION:

Lire attentivement la notice et s'assurer que la plancha est installée, montée et entretenue correctement. Un manquement aux instructions données par ce manuel peut entraîner de sérieux risques de dommages physiques ou matériels.

1. NE PAS entreposer ni utiliser d'essence ou de vapeurs et liquides inflammables à moins de 8 m (26 pi) du plancha.
2. Lorsque vous cuisinez avec de l'huile/de la graisse, ne laissez pas l'huile/la graisse dépasser 177 °C (350 °F). NE stockez PAS d'huile de cuisson supplémentaire à proximité du plancha.
3. Le bouteille (réservoir) de propane (LP) non connecté pour utilisation doit être stocké à une distance minimale de 3 m (10 pi) du plancha ou de tout appareil.
Ne remplissez jamais la bouteille de GPL au-delà de 80% de sa capacité. Si les instructions ci-dessus ne sont pas suivies exactement, il existe un risque d'incendie pouvant entraîner des blessures graves ou la mort.

En cas de problème, appelez-nous d'abord! NE renvoyez PAS le plancha au détaillant. Ce plancha a été conçu selon des normes de qualité élevées. Si vous avez des questions qui ne sont pas traitées dans ce manuel de l'utilisateur ou si vous avez besoin de pièces détachées, veuillez appeler notre service de clientèle.

REMARQUE: L'assemblage et l'utilisation de ce plancha doivent être conformes aux codes locaux. En l'absence de codes locaux, utilisez le Code d'Instruction national sur le Gaz et le Propane. Lisez toutes les instructions avant l'assemblage et l'utilisation.

ATTENTION:

1. Une bouteille de gaz propane de 1 lb. (454 g) de gaz propane (non incluse) est nécessaire pour le fonctionnement.
2. N'essayez jamais de fixer ce plancha au système autonome de propane d'une remorque de camping, d'un camping-car ou d'une maison.
3. N'utilisez jamais de charbon ou de liquide à briquet avec des plancha à gaz.
4. N'essayez PAS de déplacer le plancha lorsqu'il est allumé ou chaud.
5. N'UTILISEZ PAS le plancha s'il n'est pas complètement assemblé et que toutes les pièces sont solidement fixées et serrées.
6. N'UTILISEZ PAS le plancha ou tout autre produit à gaz à proximité de bâtiments et de matériaux combustibles non protégés.
7. N'UTILISEZ PAS en présence de gaz ou de vapeurs. Gardez l'endroit du plancha dégagé et exempt de matériaux combustibles, d'essence et d'autres vapeurs et liquides inflammables.
8. NE touchez PAS les parties métalliques du plancha avant qu'elles ne soient complètement refroidies (environ 45 minutes) pour éviter les brûlures, sauf si vous portez un équipement de protection (les gants de cuisine, les maniques, etc.).
9. NE modifiez PAS le plancha de quelque manière que ce soit.
10. Gardez tous les objets et surfaces combustibles à au moins 91 cm (36 pouces) du plancha en tout temps.
11. Ne gardez jamais une bouteille de GPL remplie dans une voiture ou un camion chaud. La chaleur peut entraîner une augmentation de la pression du gaz, ce qui peut ouvrir la vanne de décharge et permettre le gaz de s'échapper.
12. Gardez le compartiment de la vanne du plancha, les brûleurs et les passages d'air de circulation propres.
Inspectez le plancha avant chaque utilisation.
13. Veillez à n'utiliser votre plancha qu'à la pression correcte pour laquelle l'appareil est conçu. Avant toute installation, assurez-vous que les conditions locales de distribution (nature du gaz et pression du gaz) et le réglage de l'appareil sont compatibles.
14. Une ventilation adaptée est essentielle pour une bonne combustion, et le bon fonctionnement de la plancha. Cela garantira votre sécurité et celle de votre entourage. N'utilisez JAMAIS la plancha à l'intérieur ou dans un quelconque abri.

15. Les parties scellées par le fabricant ou l'un de ses techniciens ne doivent pas être manipulées par l'utilisateur.
16. Toute modification apportée à l'appareil peut être dangereuse et peut entraîner des dommages corporels et/ou matériels et annulera sa garantie.
17. Fermer la valve ou le régulateur de la bouteille de gaz après chaque utilisation.

AVERTISSEMENT:

1. Ce plancha est destiné à un usage extérieur uniquement et ne doit pas être utilisé à l'intérieur d'un bâtiment, d'un garage ou de tout autre espace fermé.
2. La consommation d'alcool, de médicaments sur ordonnance ou en vente libre peut nuire à la capacité des opérateurs d'assembler correctement ou de faire fonctionner le plancha en toute sécurité.
3. Placez toujours votre plancha sur une surface dure et plane loin des combustibles.
4. Ne laissez pas un plancha allumé sans surveillance. Tenez TOUJOURS les enfants et les animaux éloignés du plancha.
5. Ne placez le plancha sur aucun type de surface de table.
6. N'utilisez pas le plancha en cas de vent fort. Lorsque le vent dépasse les 2m/s, n'utilisez pas la plancha face au vent.
7. L'utilisation de cet appareil dans un endroit clos est dangereuse et formellement INTERDITE!

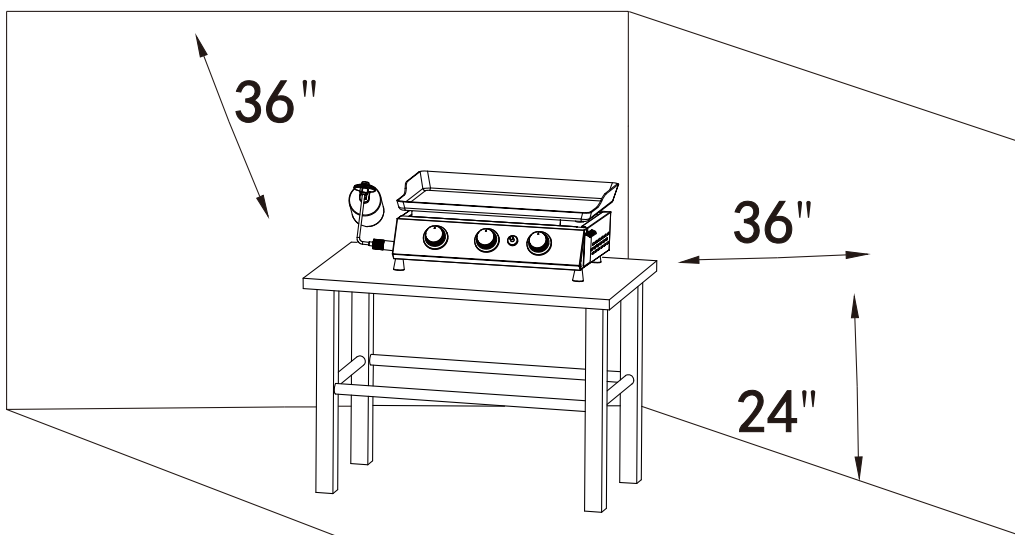
DANGER:

Le gaz propane liquide est inflammable et dangereux s'il est manipulé incorrectement. Comprenez les caractéristiques avant d'utiliser tout produit au propane.

1. Caractéristiques du propane: Inflammable, explosif sous pression, plus lourd que l'air, se dépose dans les piscines et les zones basses.
2. À l'état naturel, le propane n'a pas d'odeur. Pour votre sécurité, un odorant a été ajouté.
3. Le contact avec le propane peut causer des brûlures de gel sur la peau.
4. Ce plancha est expédié de l'usine pour une utilisation avec du gaz propane uniquement.
5. N'utilisez jamais une bouteille de propane avec un corps, une vanne, un collier ou des pieds endommagés.
6. Les bouteilles de propane bosselées ou rouillées peuvent être dangereuses et doivent être vérifiées par votre fournisseur de gaz propane.

POUR VOTRE SÉCURITÉ

1. Maintenez le plancha à une distance d'au moins 91 cm (36 pouces) des côtés et du dos, et à 61 cm (24 pouces) du sol par rapport aux matériaux combustibles et non combustibles et à la construction.
2. Ne placez pas le plancha dans l'endroit où il y a des surfaces combustibles au-dessus de la tête.



Avant de commencer l'assemblage, assurez-vous que toutes les pièces sont présentes. Comparez les pièces avec la liste de contenu et le diagramme ci-dessus. S'il manque des pièces ou s'il y a des pièces endommagées, n'essayez pas d'assembler les produits. Contactez le service clientèle pour les pièces de rechange par email.



Tournevis cruciforme

Clé

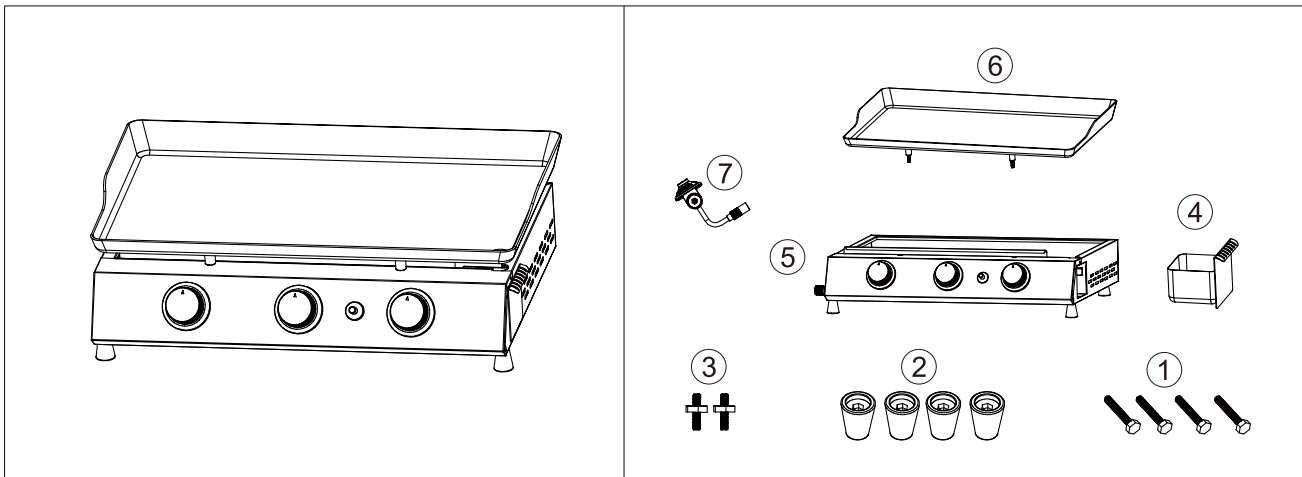
- Temps de montage estimé: 10 minutes
- Outils nécessaires pour le montage:
Tournevis cruciforme (non inclus) et clé (non inclus)
- Remarque: Les côtés droit et gauche du plancha sont conçus comme si vous faisiez face à l'avant du plancha.



AVERTISSEMENT 65 RELATIF À LA PROPOSITION

1. Les carburants utilisés dans les appareils à gaz et les sous-produits qui appliquent ces carburants peuvent vous exposer à des produits chimiques, y compris le monoxyde de carbone, qui est considérés comme les sources d' anomalie congénitale ou d'autres troubles de la reproduction par l'État de Californie.
2. Ce produit contient du Nickel (Métallique) reconnu par l'État de Californie comme la source de cancer.
3. Ce produit contient du Plomb et des Composés de plomb reconnu par l'État de Californie qui provoque le cancer, des anomalies congénitales ou d'autres troubles de la reproduction.

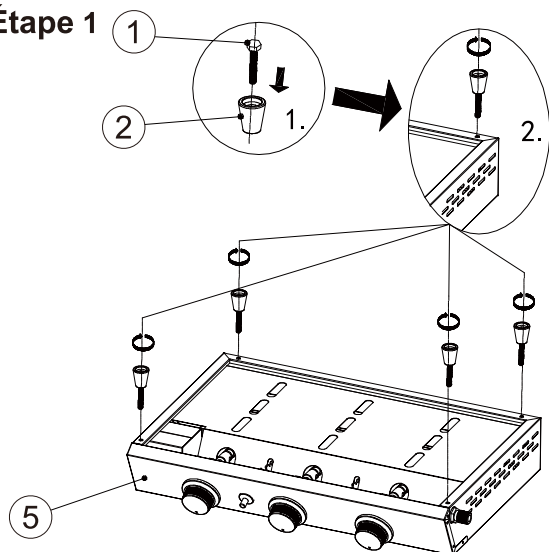
Pour plus d'informations, visitez le site: www.P65Warnings.ca.gov



Réf	Description	Illustration	QTÉ
1.	Boulon (M4×30)		4
2.	Base du pied JS206		4
3.	Goujon avec écrou		2
4.	Bac à graisse GHLT5YB		1

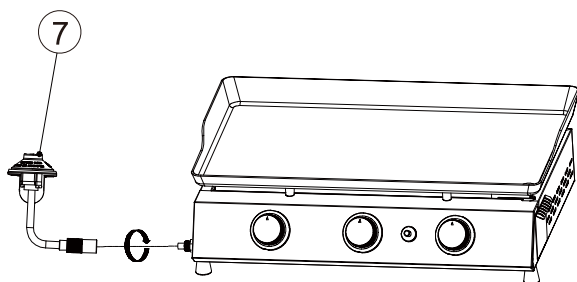
Réf	Description	Illustration	QTÉ
5.	Corps principal		1
6.	Plaque de cuisson GHJP23B-C		1
7.	Régulateur W-11020007		1

Étape 1



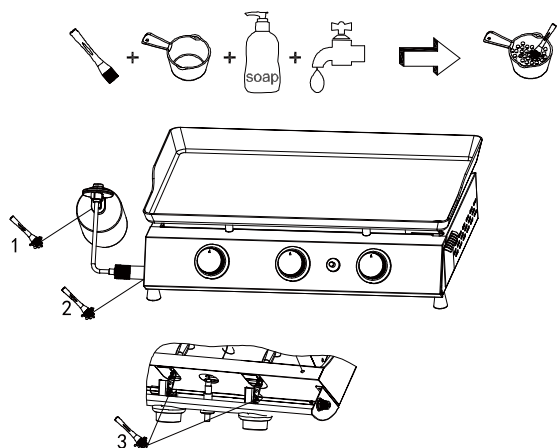
Insérez 4 boulons (1) dans les bases des pieds (2), puis assemblez 4 ensembles de base des pieds au bas du corps principal (5) en les tournant dans le sens des aiguilles d'une montre jusqu'à ce qu'ils soient serrés.

Étape 3



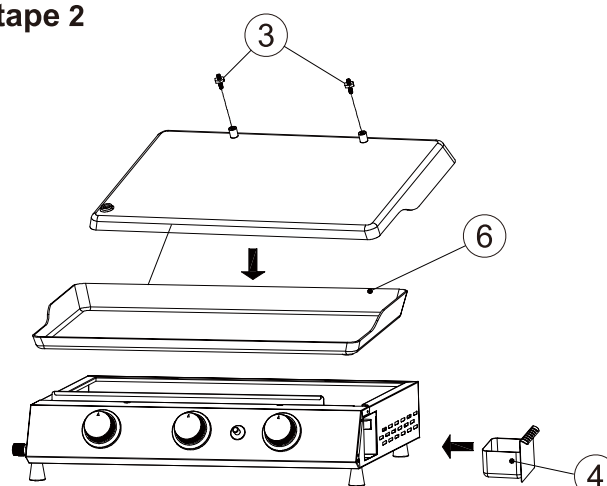
Connecter le régulateur (7) au corps principal.

Étape 5



Avant d'utiliser, effectuer un test d'étanchéité du réservoir LP comme indiqué.

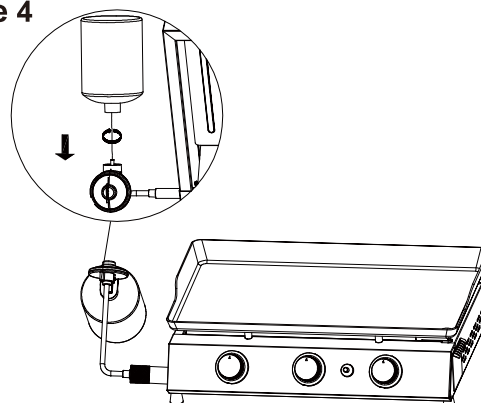
Étape 2



Insérez le bac à graisse (4) sur le côté du corps principal. Veuillez d'abord serrer 2 goujons (3) au bas de la plaque de cuisson (6). Ajuster les écrous d'assurer la planéité de la plaque de cuisson.

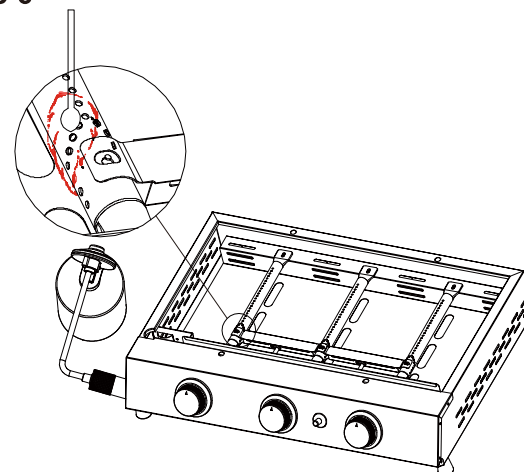
Il est recommandé de laisser un espace de quelques centimètres entre chaque écrou et la plaque, comme indiqué sur la figure.

Étape 4



Insérez le mamelon du régulateur dans le réservoir de 1 lb. LP (non inclus) et serrez-le à la main en le tournant dans le sens des aiguilles d'une montre, comme illustré.

Étape 6



Allumer manuellement le brûleur à l'aide d'une allumette allumée comme indiqué si vous ne parvenez pas à allumer le brûleur avec l'allumage piézoélectrique.

INSTRUCTIONS POUR L'USAGE

Votre nouveau plancha a été conçu et fabriqué selon des normes de qualité élevées.

Il vous procurera de nombreuses années de plaisir à griller, mais il nécessite un minimum d'entretien.

Suivre correctement ce mode d'emploi afin d'éviter de sérieux dommages corporels ou matériels ainsi que pour préserver l'appareil.

1. Suivre soigneusement les instructions de montage de l'appareil.
2. Connectez la bouteille de propane de 1lb à la plancha (bouteille de propane non incluse).
3. Tournez tous les boutons de contrôle en position « Arrêt » (éteinte) avant d'ouvrir l'arrivée de gaz.
4. Utiliser le régulateur en fonction des instructions données.

Inspectez toujours visuellement votre plancha avant de l'allumer. Recherchez tout ce qui pourrait bloquer la ventilation et éliminez un tel blocage ou déplacez le plancha. Après l'allumage, vérifiez le modèle de flamme pour vous assurer d'avoir une répartition uniforme de la chaleur pour chaque brûleur. Si les brûleurs ne s'allument pas ou si le motif de flamme est irrégulier, consultez la section de Dépannage.

AVERTISSEMENT

1. lire les instructions avant d'allumer.
2. Si l'allumage ne se produit pas dans les 5 secondes, éteignez le(s) bouton(s) de commande du brûleur, attendez 5 minutes et répétez la procédure d'allumage.

ALLUMER LES BRÛLEURS PRINCIPAUX AVEC L'ALLUMAGE PIÉZOÉLECTRIQUE

1. Tournez tous les boutons de commande en position OFF.
2. Connectez la bouteille de gaz à la valve du régulateur.
3. Enfoncez le bouton de commande et tournez-le dans le sens inverse des aiguilles d'une montre jusqu'à la position HI. Le brûleur doit s'allumer immédiatement.
4. Si le brûleur ne s'allume pas, tournez le bouton de commande en position OFF, attendez 5 minutes avant d'essayer de rallumer le brûleur.
5. Si le brûleur s'allume, répétez l'opération pour les autres brûleurs, et tournez les boutons de commande à la température requise pour votre nourriture.

* Si les brûleurs ne s'allument toujours pas, vérifiez l'alimentation en gaz.

ALLUMER MANUELLEMENT LES BRÛLEURS AVEC ALLUMETTE

1. Tournez tous les boutons de commande en position OFF.
2. Connectez la bouteille de gaz à la valve du régulateur.
3. Retirez la plaque de la plancha et placez l'allumette allumée près des orifices des brûleurs.
4. Enfoncez le bouton de commande et tournez-le dans le sens inverse des aiguilles d'une montre jusqu'à la position HI. Le brûleur doit s'allumer immédiatement.
5. Si le brûleur ne s'allume pas, tournez le bouton de commande en position OFF, attendez 5 minutes avant d'essayer de rallumer le brûleur.
6. Si le brûleur s'allume, répétez l'opération pour les autres brûleurs, et tournez les boutons de commande à la température requise pour votre nourriture.

* Si les brûleurs ne s'allument toujours pas, vérifiez l'alimentation en gaz.

ÉTEINDRE VOTRE PLANCHA

1. Tournez tous les boutons de commande des brûleurs en position OFF.
2. Débranchez la bouteille de gaz de la valve de régulation.

AVERTISSEMENT

N'utilisez pas d'alcool ou d'essence pour allumer ou rallumer!

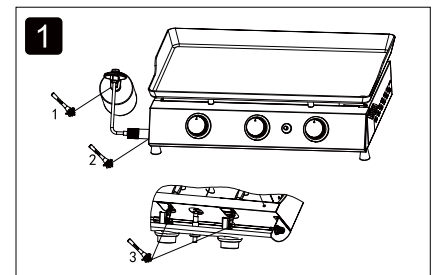
AVANT L'UTILISATION, VEUILLEZ VÉRIFIER L'ABSENCE DE FUITES

Ne vérifiez jamais les fuites avec une flamme nue, utilisez toujours une solution d'eau savonneuse.

ESSAI DE FUITE

Un essai de fuite doit être effectué chaque fois qu'un réservoir de propane est rempli ou remplacé. Ne fumez pas et n'utilisez aucun type de matériau inflammable dans la zone pendant cet essai de fuite. N'utilisez pas de flamme nue pour rechercher des fuites.

1. Effectuez l'essai à l'extérieur dans un endroit bien ventilé.
2. Assurez-vous que tous les brûleurs sont en position OFF.
3. Si les avertissements 1 et 2 ci-dessus ne sont pas strictement respectés, il existe un risque d'incendie pouvant entraîner des blessures graves ou la mort.
4. Mélangez une solution d'eau et de savon doux 50/50. N'utilisez pas de solution de nettoyage ménager.
5. Connectez le régulateur à la plancha, et connectez la bouteille de gaz au régulateur, assurez-vous que les connexions sont solides. Si vous entendez un bruit sec, débranchez immédiatement la bouteille de gaz. Dans ce cas, il pourrait y avoir une fuite au niveau du raccordement. Reconnectez la bouteille de gaz au régulateur.
6. Vaporisez ou brossez la solution de détergent à vaisselle en couvrant les zones suivantes. (Chiffre 1)
7. Des bulles qui se développent sur l'une des pièces et des raccords énumérés ci-dessus indiquent une fuite de gaz. Fermez immédiatement la vanne du réservoir de GPL en tournant la vanne dans le sens horaire. Resserrez les raccords ou commandez des pièces de rechange si nécessaire. Continuez l'essai si nécessaire jusqu'à ce qu'aucune fuite ne soit détectée. Si vous n'arrivez pas à reboucher la fuite, ne réessayez pas, appelez plutôt votre fournisseur de gaz.
8. Après avoir réparé la fuite, refaites le test. Fermez la sortie de gaz de la bouteille après avoir fait le test.

**Si vous sentez du gaz:**

1. Coupez l'alimentation en gaz du plancha.
 2. Éteignez toute flamme nue.
 3. Si une odeur persiste, éloignez-vous du plancha et appelez immédiatement les pompiers.
- Le non-respect de ces instructions peut entraîner un incendie, une explosion ou des brûlures pouvant entraîner des dommages matériels, des blessures corporelles ou la mort.

BOUTEILLE DE GAZ

1. l'appareil doit être utilisé avec une bouteille de gaz de 1 lb.
2. Ne laissez pas tomber la bouteille de gaz et ne la manipulez pas brutalement! Si l'appareil n'est pas utilisé, la bouteille de gaz doit être débranchée. Remettez le capuchon de protection sur la bouteille de gaz après avoir débranché la bouteille de gaz de l'appareil.
3. La bouteille de gaz doit être stockée à l'extérieur, en position verticale et hors de portée des enfants.
4. La bouteille de gaz ne doit jamais être entreposée dans un endroit où les températures peuvent atteindre plus de 50 °C (122 °F).
5. Ne pas stocker la bouteille de gaz à proximité de flammes, de veilleuses ou d'autres sources d'inflammation.
6. NE PAS FUMER à proximité de la bouteille de gaz. La bouteille de gaz doit être maintenue à l'écart de toute source d'inflammation.
7. Ne pas stocker ou utiliser d'essence ou d'autres liquides ou vapeurs inflammables à proximité de cet appareil ou de tout autre appareil.

AVERTISSEMENT

1. Ne nettoyez aucune pièce de la plancha dans un four autonettoyant.
2. N'utilisez pas de nettoyeurs pour fours, de nettoyeurs abrasifs pour la cuisine, de nettoyeurs contenant des agrumes ou d'essence minérale.
3. Nettoyez votre plancha régulièrement pour éviter l'accumulation de graisse, les feux de graisse ou les flambées excessives.
4. Laissez toujours le plancha refroidir avant de le nettoyer.

ATTENTION: Tous les travaux de nettoyage et d'entretien doivent être effectués lorsque l'appareil est refroidi et que l'alimentation en combustible est coupée au niveau du réservoir de GPL ou du régulateur.

ACIER INOXYDABLE Nettoyez avec un produit à polir polyvalent, à faible abrasion, pour métal ou acier inoxydable sans phosphore et un chiffon doux. Polissez toujours dans le sens de la finition. Ne laissez pas la graisse et la saleté s'accumuler. De plus, plusieurs produits et substances d'origine naturelle peuvent endommager toutes les finitions en acier inoxydable. Ceux-ci incluent, mais sans s'y limiter, les produits chimiques pour piscines (chlore et brome), les engrais pour pelouse et jardin, les produits de fonte des glaces, l'eau de mer ou autre eau salée, l'urine, les excréments d'oiseaux et la sève des arbres. Au contact de ces substances, lavez et séchez immédiatement la surface en acier inoxydable et faites attention à éviter les brûlures.

PLAQUE DE CUISSON La plupart des aliments peuvent être nettoyés en grattant et en essuyant la plaque chauffante avec une serviette en papier ou un chiffon doux humide. Pour éliminer les résidus alimentaires tenaces, vous pouvez utiliser un nettoyeur doux en crème et un tampon. Vous pouvez également utiliser de l'eau savonneuse ou une serviette en papier et 1/4 tasse de sel de table comme autre méthode de nettoyage de votre plaque chauffante. Rincez-la bien et séchez-la.

AUTRES SURFACES EXTÉRIEURES Lavez avec un détergent à vaisselle doux et de l'eau tiède. Vous pouvez utiliser un chiffon, une brosse douce (non métallique) ou un tampon de nettoyage en plastique. Rincez abondamment et essuyez.

BAC À GRAISSE Vérifiez après chaque utilisation. Retirez et videz le bac à graisse lorsqu'il est à moitié plein. Il peut être lavé à l'eau chaude avec un détergent doux pour vaisselle.

BRÛLEURS Nous vous recommandons de nettoyer vos brûleurs au moins deux fois par an, ou avant utilisation si le plancha n'a pas été utilisé depuis plus d'un mois.

AVERTISSEMENT

De petits insectes et araignées peuvent pénétrer dans les tubes du brûleur. Parfois, ils construisent des nids ou des toiles qui peuvent bloquer ou réduire la quantité de gaz circulant à travers le brûleur. Vous verrez généralement une flamme plus petite, ou une flamme qui est principalement jaune plutôt que bleue, provenant du brûleur lorsque cela se produit. D'autres signes incluent le plancha générant une chaleur inégale ou faible, ou la difficulté d'allumer les brûleurs. En cas de blocage grave, cela peut provoquer une combustion de la flamme vers l'arrière et à l'extérieur des tubes du brûleur, ce qui peut endommager votre plancha et/ou provoquer des blessures. **SI CELA SE PRODUIT, ARRÊTEZ IMMÉDIATEMENT LE DÉBIT DE GAZ PROPANE AU NIVEAU DU RÉSERVOIR LP OU FERMEZ LE RÉGULATEUR.** Attendez que le plancha refroidisse, puis nettoyez tous les brûleurs.

NETTOYAGE DES BRÛLEURS

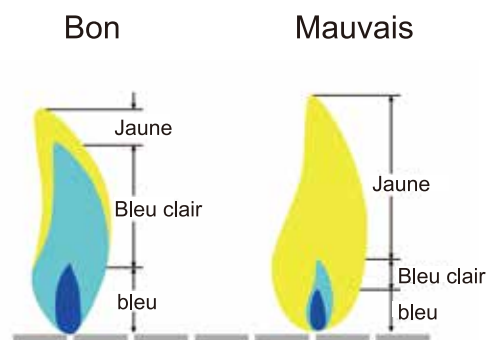
1. Assurez-vous que le gaz est éteint au niveau du réservoir de propane.
2. Retirez la plaque de cuisson.
3. Soulevez chaque brûleur et sortez-le.
4. Nettoyez l'intérieur du brûleur à l'aide d'un fil rigide. Un cintre redressé fonctionnera. Une alternative consiste à utiliser de l'air comprimé. Portez toujours un équipement de protection pour vos yeux lorsque vous utilisez cette méthode. N'agrandissez jamais les orifices du brûleur pendant le nettoyage.
5. Brossez la surface extérieure du brûleur.
6. Assurez-vous que tous les ports (trous) sont exempts de débris.
7. Inspectez les brûleurs. Remplacez ceux qui ont des fissures ou des ports élargis.
8. Remplacez la plaque de cuisson.
9. Effectuez l'essai de fuite décrit plus haut dans ce Manuel de l'Utilisateur.

AVERTISSEMENT

Un emplacement approprié du brûleur et de la vanne est essentiel pour assurer la sécurité.

FLAMMES DU BRÛLEUR

Vérifiez toujours le motif de flamme du brûleur après l'allumage. Une bonne flamme doit être principalement bleue avec une pointe jaune et avoir un minimum de scintillement. Certaines pointes jaunes conviennent si elles sont inférieures à 2,5 cm (1"). Les nouveaux brûleurs ont parfois des résidus d'huile, ce qui provoquera une flamme jaune lors de la combustion. Les variations de l'alimentation en gaz, de l'altitude, des conditions météorologiques et d'autres facteurs peuvent avoir un impact sur les performances du brûleur. Les planchas plus anciennes peuvent également montrer plus de flammes jaunes en raison des dépôts de nourriture, de l'huile et de l'accumulation de graisse.



TOUJOURS

1. Gardez la zone de cuisson dégagée et exempte de matériaux combustibles, d'essence et d'autres vapeurs et liquides inflammables.
2. N'obstruez pas le flux d'air pour la combustion et la ventilation.
3. Gardez les ouvertures de ventilation de l'enceinte de la bouteille exempts de débris.

STOCKAGE DES PLANCHA

1. Nettoyez votre plancha avant de la ranger.
2. Le stockage d'une plancha à gaz à l'intérieur est autorisé uniquement si la bouteille de propane est déconnectée et retirée de la plancha à gaz.
3. Couvrez la plancha.
4. Effectuez un test d'étanchéité avant d'utiliser la plancha après qu'elle ait été stockée pendant un certain temps.

LE BRÛLEUR NE S'ALLUME PAS (AVEC UNE BOUTEILLE DE GPL DE 0,45 KG (1 LB.))

- S'assurer que la bouteille de gaz contient encore du combustible en la secouant doucement-il y aura des bruits du liquide à l'intérieur si le produit n'est pas fini.
- Vérifier que l'écran d'entrée d'air du tube venturi n'est pas couvert ou obstrué.
- Vérifier que les orifices des brûleurs sont dégagés. S'ils sont obstrués, avec la bouteille de gaz liquéfié débranchée, vous pouvez broser doucement les orifices avec une petite brosse.
- Vérifier que l'allumeur produit une étincelle contre le brûleur (il est préférable de le vérifier dans un endroit ombragé). Si le brûleur ne s'allume toujours pas, répéter les procédures ci-dessus avec une autre bouteille de gaz GPL.

LE BRÛLEUR NE S'ALLUME PAS

(AVEC UNE BOUTEILLE DE GAZ DE 9 KG (20 LB.) ET UN TUYAU DE CONVERSION)

- Contrôler toutes les étapes de la section sur les bouteilles de GPL ci-dessus.
- S'assurer que le robinet d'alimentation de la bouteille de gaz est ouvert (tourné dans le sens inverse des aiguilles d'une montre jusqu'à la butée).
- S'assurer que les orifices aux deux extrémités du tuyau de conversion ne sont pas obstrués ou endommagés.
- Redresser les coudes aigus du tuyau de conversion.

LA PLAQUE N'ATTEINT PAS UNE TEMPÉRATURE SUFFISAMMENT ÉLEVÉE

(AVEC UNE BOUTEILLE DE GAZ LIQUÉFIÉ DE 0,45 KG (1 LB.)).

- Secouer doucement la bouteille de gaz LP pour vous assurer qu'il y a assez de combustible, il y aura des bruits de liquide à l'intérieur si le produit n'est pas fini.
- Vérifier que l'écran d'entrée d'air du tube venturi n'est pas couvert ou obstrué.
- Vérifier que le système de gaz ne présente pas de fuites.

LA PLAQUE N'ATTEINT PAS UNE TEMPÉRATURE ASSEZ ÉLEVÉE

(AVEC UNE BOUTEILLE DE GAZ DE 9 KG (20 LB.) ET UN TUYAU DE CONVERSION).

Votre bouteille de gaz est équipée d'un dispositif de sécurité qui vise à réduire le débit de gaz en cas de fuite. Lorsque ce dispositif est actif, il est communément appelé « dérivation ». Ce dispositif peut être activé par inadvertance si vous ne respectez pas les procédures d'allumage appropriées. Lorsque vous constatez que la flamme est faible, vous devez procéder comme suit :

- 1) Éteindre la plancha.
- 2) Fermer complètement la soupape de sécurité de la bouteille.
- 3) Débrancher le tuyau de conversion de la valve, puis la rebrancher.

Ensuite, redémarrer en suivant les procédures appropriées:

- 1) S'assurer que le bouton de commande de la plaque est en position OFF.
- 2) Ouvrir lentement et complètement le robinet de la bouteille de gaz. Tourner le bouchon de la bouteille d'environ 1/4 de tour toutes les 10 secondes.
- 3) ATTENDRE 5 SECONDES.
- 4) Suivre les étapes d'allumage.

Si votre problème n'est pas résolu selon des informations ci-dessus,
veuillez contacter votre revendeur de gaz local.

Chaleur directe

TABLEAU DE TEMPÉRATURE INTERNE DU BŒUF			
Degré de cuisine	Température interne au cœur	Description interne	Fermeté
Cru	125 °F	Le centre est rouge vif, rosâtre vers la partie extérieure et le steak est chaud partout	Doux au toucher
Saignant	130-135 °F	Le centre est très rose, légèrement brun vers la partie extérieure et le steak légèrement chaud	Ne cède que légèrement au toucher
À moitié cuit	140-145 °F	Le centre est rose clair, la partie extérieure est brune et le steak est chaude partout	Commence à se raffermir au toucher
À moitié cuit	150-155 °F	Surtout gris brunâtre avec un soupçon de rose au centre	Dur au toucher
Bien cuit	155 °F et plus	Le steak est gris brunâtre partout	Dur ou rigide au toucher
TABLEAU DE TEMPÉRATURE INTERNE DE LA VOLAILLE			
Poulet entier	165 °F	Cuire jusqu'à ce que le jus soit clair	Dur au toucher
Viande sombre	165 °F	Cuire jusqu'à ce que tout soit blanc mais encore humide	Dur au toucher
Poitrine de poulet	165 °F	Cuire jusqu'à ce que tout soit blanc mais encore humide	Dur au toucher
Cuisse, ailes et jambes	165 °F	Surtout gris brunâtre avec un soupçon de rose au centre	Dur au toucher
TABLEAU DE TEMPÉRATURE INTERNE DU PORC			
À moitié mûr	150 °F	Rose au centre	
Bien cuit	160 °F et plus	Le porc est uniformément blanc/brun partout	
Côtes de porc	180-200 °F	Blanc pâle. Cuire jusqu'à moyen à bien cuit	
Saucisse crue	160 °F	Non plus rose	
Saucisse (précuite)	140 °F	Non plus rose	

STEAK (ET TOUTES LES VIANDES):

- Pour griller les viandes, soulevez la grille de feu en position haute (chaude) et grillez pendant une minute de chaque côté avec le couvercle ouvert pour conserver la saveur et le jus.
- Puis abaissez la grille de feu à la position moyenne avec le couvercle fermé et faites cuire au degré désiré.
- Contrôlez la chaleur avec les amortisseurs doubles et une grille de feu réglable.

Truc:

Remettez la viande grillée dans la marinade pendant plusieurs minutes avant de la servir-elle sera plus savoureuse et plus juteuse.

ATTENTION:

Faites d'abord bouillir la marinade supplémentaire pour tuer les bactéries restantes de la viande crue.

STEAK DE FLANC MARINÉ:

- Mélangez les ingrédients de marinade dans un plat non métallique.
 - Laissez reposer le steak dans la marinade pendant au moins 4 heures au réfrigérateur.
 - Faites dorer chaque côté pendant 5 minutes, mais le centre doit rester cru.
 - Coupez le steak en diagonale dans le sens du grain en fines tranches avant de servir.
 - Grillez avec la grille de feu en position haute.
-

Marinade de Viande

- 1/2 tasse d'huile végétale ou d'olive
 - 1/3 tasse de sauce soja
 - 1/4 tasse de vinaigre de vin rouge
 - 2 cuillères à café de jus de citron
 - 1 cuillère à café de moutarde sèche
 - 1 gousse d'ail émincée
 - 1 petit oignon émincé
 - 1/4 cuillère à café de poivre
-

CAILLES OU COLOMBES:

- Couvrez les oiseaux d'une bonne quantité d'assaisonnement et faites-les mariner pendant la nuit.
 - Versez le reste de la vinaigrette et couvrez de sauce piquante Texas Pete pendant 6 heures.
 - Enveloppez les oiseaux dans du bacon épais fixé par un cure-dent.
 - Placez sur le gril. Continuez à retourner jusqu'à ce que le bacon soit noir.
 - Faites griller pendant 20 minutes. Grillez avec le couvercle ouvert et la grille de feu en position haute (chaude) pendant 1 minute de chaque côté avant d'abaisser la grille et de fermer le couvercle.
 - Pour fumer les oiseaux, placez-les au centre des grilles avec du feu aux deux extrémités de la chambre à feu.
-

HOT-DOGS:

- Grillez avec le couvercle relevé et les grilles de cuisson en position haute (chaude) pendant environ 6 minutes.
 - Retournez toutes les quelques minutes.
-

MAÏS SUCRÉ DÉCORTIQUÉ:

- Coupez l'excédent de soie à l'extrémité et faites-le tremper dans de l'eau froide salée 1 heure avant la cuisson.
 - Grillez pendant 25 minutes-en le retournant plusieurs fois.
-

KEBAB:

- Alternez toute combinaison de viande, oignons, tomates, poivrons verts, champignons, courgettes, tranche circulaire de maïs en épi ou ananas sur des brochettes. La viande peut être composée de crevettes, de pétoncles, de homard, de poulet, de saucisse, de porc, de bœuf, etc.
 - Faites mariner la viande au réfrigérateur pendant plusieurs heures.
 - Grillez chaque côté pendant environ 7 minutes, en les retournant de temps en temps en arrosant de marinade.
 - Laissez un peu de place entre les morceaux pour cuire plus vite.
 - Grillez avec le couvercle relevé et les grilles de cuisson dans la position la plus basse.
-

Marinade de Kebab:

- 1 tasse de sauce soja
 - 1/2 tasse de cassonade
 - 1/2 tasse de vinaigre
 - 1/2 tasse de jus d'ananas 2 cuillères à café de sel
 - 1/2 cuillère à café d'ail en poudre
 - Mélangez tous les ingrédients dans une casserole et portez à ébullition.
 - Laissez refroidir la marinade avant d'y faire mariner la viande.
 - Faites mariner le bœuf dans le mélange pendant au moins 4 heures.
-

HAMBURGER:

Reportez-vous à la marinade de viande aux pages précédentes.

Vous pouvez également faire mariner en laissant reposer dans la marinade pendant 1 ou 2 heures à température ambiante avant la cuisson ou laisser reposer dans un plat couvert au réfrigérateur jusqu'à 24 heures.

- Amenez-le à température ambiante avant la cuisson. Incorporez les oignons hachés, les poivrons verts, le sel, grillez les galettes de 3/4 po de chaque côté, avec les grilles de cuisson en position haute pendant quelques minutes.
 - Abaissez la grille de feu en position moyenne et faites-la griller avec le couvercle abaissé pour éviter les flammes.
 - Cuisez chaque côté pendant 3 à 7 minutes selon le degré souhaité.
 - Faites cuire la viande hachée à une température interne de 65°C(150°F) ou jusqu'à ce que le jus soit clair (sans sang) pour prévenir les infections de type E. Coli.
 - Les hamburgers peuvent être arrosés de marinade lorsqu'ils sont retournés et/ou d'autres ingrédients peuvent être mélangés avec le bœuf haché tels que la sauce chili ou la poudre.
-

CREVETTE (Pelée) et ÉCREVISSE

- Placez-les sur des brochettes.
 - Couvrez-les du beurre fondu et du sel à l'ail.
 - Grillez-les pendant 4 minutes pour chaque côté ou jusqu'à ce qu'elles soient roses. Sauce de cocktail en option.
-

POMMES DE TERRE CUITES:

- Frottez-les de beurre et enveloppez-les dans le papier d'aluminium et faites cuire sur le gril avec le couvercle abaissé pendant 50 minutes.
 - Retournez au bout de 25 minutes (pas besoin de retourner si elles sont fumées).
 - Pressez pour vérifier si elles sont cuites.
-

Merci d'avoir acheté ce Plancha de Royal Gourmet ®.

Royal Gourmet garantit que ses produits sont exempts de défauts de matériel et de fabrication pendant un an à partir de la date d'achat d'origine s'ils sont assemblés de la manière appropriée, utilisés normalement et entretenus de la façon recommandée. La garantie de Royal Gourmet ne couvre pas la finition de peinture, car elle peut brûler au cours d'un usage normal. **La rouille n'est pas considérée comme un défaut de fabrication ou de matériaux.**

Pendant cinq ans à compter de la date d'achat, tout brûleur en acier inoxydable qui rouille sera remplacé gratuitement.

Durant la période de garantie déclarée, Royal Gourmet, à sa discrétion, remplacera gratuitement tout composant défectueux, le propriétaire étant responsable des frais de transport. Royal Gourmet se réserve le droit d'exiger que les pièces défectueuses soient retournées, en port et/ou en fret prépayé par le consommateur pour examen et examen. En cas de problèmes de disponibilité des pièces, Royal Gourmet se réserve le droit de remplacer des pièces similaires qui sont également fonctionnels. À l'expiration de la garantie, toute responsabilité et obligation en découlant cessera.

Remarque: Un reçu de vente daté avec le numéro de modèle et le numéro de série sera nécessaire pour le service de garantie.

Cette garantie limitée ne vous remboursera pas le coût des incon vénients, de la nourriture, des blessures corporelles ou des dommages matériels. Toute couverture de garantie est nulle si ce plancha est utilisé à des fins commerciales ou de location. Cette garantie limitée s'applique UNIQUEMENT au fonctionnement du produit et ne couvre pas les rayures, les bosses, la corrosion ou la décoloration causées par la chaleur, les nettoyants abrasifs et chimiques, ou par les outils utilisés dans l'assemblage ou l'installation de l'appareil, l'oxydation du surfaces ou décoloration des surfaces en acier inoxydable.

CE QUI N'EST PAS COUVERT PAR LA GARANTIE

Toutes défaillances ou difficultés au niveau du fonctionnement causées par un accident, l'abus, une mauvaise utilisation, une modification, une mauvaise application, le vandalisme, une mauvaise installation, l'entretien/le service incorrect, ou un manquement à fournir l'entretien régulier, y compris sans limitations les dommages causés par les insectes dans les brûleurs, tel qu'indiqué dans le guide de l'utilisateur.

La détérioration ou les dommages causés par les intempéries telles que la grêle, les ouragans, les tremblements de terre ou les tornades, la décoloration suite à l'exposition directe ou indirecte aux produits chimiques.

Coûts d'expédition ou de transport.

Coûts des appels de service.

Coûts d'enlèvement ou de réinstallation.

La collecte et la livraison de votre produit.

Coûts de main d'œuvre pour l'installation et les réparations.

Responsabilité pour les dommages indirects ou consécutifs.

Cette garantie limitée tient lieu de garantie unique offerte par Royal Gourmet et remplace toute autre garantie expresse ou implicite, y compris toute garantie implicite d'aptitude à la commercialisation ou d'adaptation à un usage particulier. Ni Royal Gourmet ni le détaillant qui vend ce produit ne sont autorisés à fournir des garanties ou à promettre quoi que ce soit qui dépasse ou qui contredit ce qui est énoncé ci-dessus.

La responsabilité maximale de Royal Gourmet, dans tous les cas, ne peut dépasser le prix d'achat de l'article payé par le consommateur ou l'acheteur d'origine. Certains États et certaines provinces ne permettent pas l'exclusion ni la limitation de dommages directs ou indirects. Par conséquent, les exclusions ou limitations indiquées ci-dessus peuvent ne pas vous être applicables.

Ne retournez aucune pièces sans avoir préalablement obtenu l'autorisation de retour de notre service clientèle.

N'hésitez pas à contacter notre service de clientèle si vous avez des questions concernant l'assemblage, la garantie ou les accessoires. Nous serons heureux de vous proposer les pièces de rechange dont vous avez besoin pendant la période de garantie.



1-800-618-6798



service@royalgourmetusa.com



Du lundi au vendredi, de 8 h 30 à 17 h 30, HNE